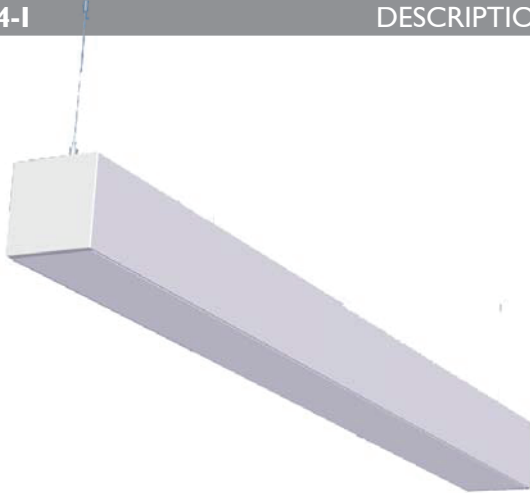


P44-I DESCRIPTION



Catalog #	Type
Project	
Comments	
Prepared by	Date

Prime family puts DESIGN back into your projects • Prime 44-I is the next evolutionary step in classic fixture design. It utilizes the latest technological advances in lamp, ballast and optic improvements. ICON also is breaking new ground by re-engineering mounting and joining details to help projects • Prime 44-I is designed around energy efficient T5, T5HO and T8 lamps for maximum performance • Movable Mounts allow the fixture to be installed in new and remodeling projects where you need it • Modular gear tray allows for different lamp configurations and field modifications • LED, Track and fluorescent can be combined in the same housing for maximum flexibility

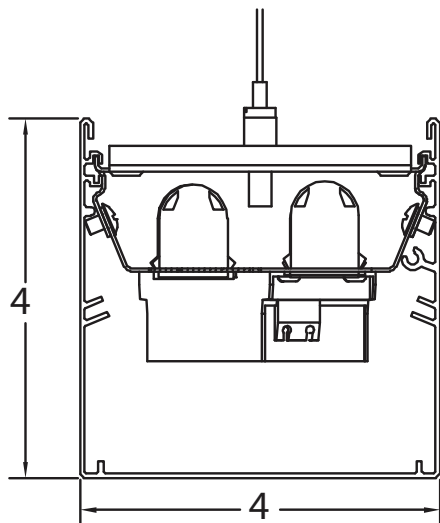
P44-I SPECIFICATIONS

CONSTRUCTION	6063-T5 extruded aluminum housing. Revolutionary die-cast aluminum
MOUNT	Fully adjustable stainless steel aircraft cable kit attached to a longitudinally adjustable die-formed steel yoke mount.
OPTICS	High performance white hybrid powder coat applied to an optically optimized reflector system. Open (standard) or clear lens.
ELECTRICAL	Pre-wired with factory installed branch circuit wiring and over-molded quick connects. SJT white power cord capable of carrying two independent circuits. UL listed class "P" thermally protected universal voltage electronic ballast with less than 10% THD.

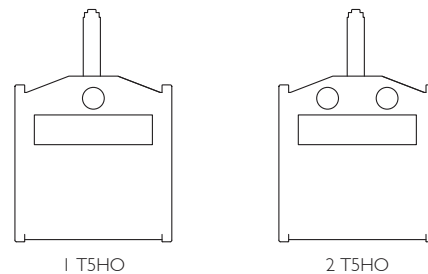
FINISH	Standard housing finished in ICON Yoke White polyester powder coat applied over a 5-stage corrosion inhibiting pre-treatment. Alternate finishes and transparent color over bonded chrome finish available. Consult factory.
APPLICATIONS	Open and Private Office, Conference, Lobby, Reception, Corridor, Educational Facility, Library, Museum, Retail, Supermarket, Food Service.
FAMILY OPTIONS	
PENDANT	Direct, Indirect, Direct/Indirect, Track, Pass-Through, and Asymmetrical. Housing Size- 2'x 3", 2'x 6", 4'x 4".
RECESSED	Ceiling, Track, and Asymmetrical. Housing Size- 2'x 3", 4" X 4".
WALL MOUNT	Direct, Indirect, Direct/Indirect, Track, Pass-Through, and Asymmetrical. Housing Size- 2'x 3", 2'x 6", 4'x 4"

PRIME PRIME 44 INDIRECT

P44-I LAMP CONFIGURATIONS



CROSS SECTION



P44-I PHOTO DISTRIBUTION

Candela Tabulation

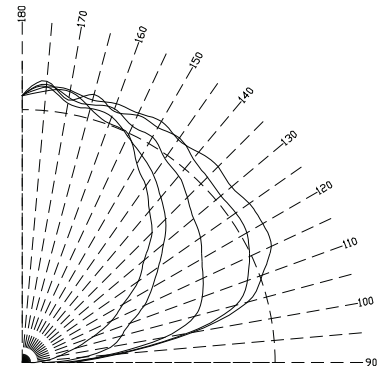
Total Luminaire Efficiency: 48.2%

P44-I-T5-N

VERTICAL ANGLE	CANDLEPOWER DISTRIBUTION				
	HORIZONTAL ANGLE 0		HORIZONTAL ANGLE 45		90
	0.0	22.5	45.0	67.5	90.0
90	109.6	104.7	85.2	51.9	20.8
95	223.9	211.7	198.5	142.7	57.9
100	400.2	389.9	336.1	210.5	86.4
105	547.8	519.6	420.0	242.1	126.3
110	600.9	564.1	451.0	269.2	176.8
115	646.5	590.4	470.3	316.8	231.2
120	654.0	610.3	488.0	353.5	274.4
125	653.0	614.3	512.9	391.1	333.7
130	643.6	610.7	526.8	434.7	375.0
135	651.9	616.9	549.6	478.0	432.0
140	646.3	627.0	573.7	507.7	465.8
145	641.0	645.5	586.3	539.6	508.2
150	653.8	639.5	613.2	563.7	539.7
155	647.8	642.7	614.2	587.8	592.4
160	648.4	630.4	636.0	616.0	599.0
165	640.2	653.7	628.1	619.2	620.3
170	651.1	627.6	633.9	620.1	648.2
175	650.9	664.8	657.9	652.2	642.1
180	628.5	628.5	628.5	628.5	628.5

Zonal Lumens

Zone	Lumens	%Lamp	%Fixt
0-30	0	0	0
0-40	0	0	0
0-60	0	0	0
0-90	0	0	0
90-120	1032.56	17.8	36.9
90-130	1482.02	25.6	53
90-150	2271.19	39.2	81.2
90-180	2796.18	48.2	100
0-180	2796.18	48.2	100

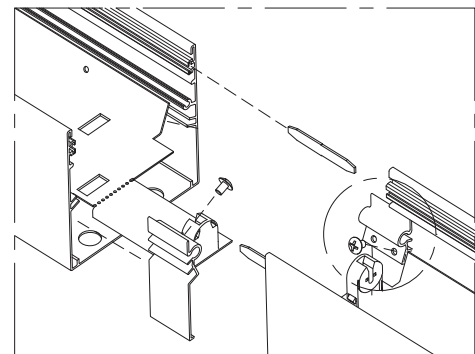
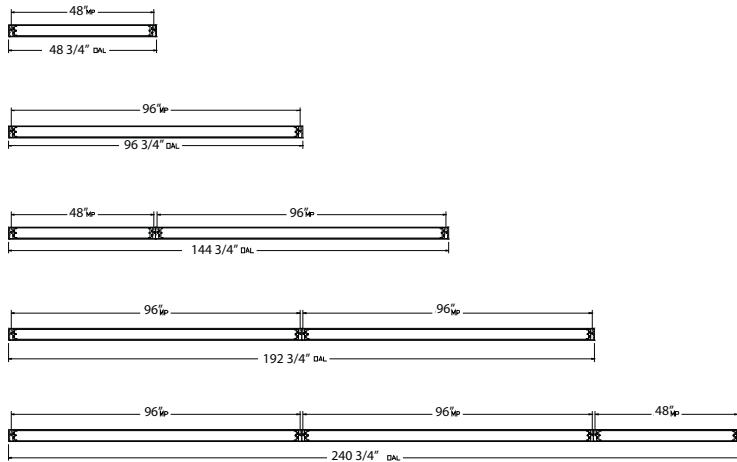


Coefficients of Utilization- Zonal Cavity Method

Effective Floor Cavity Reflectance 0.20

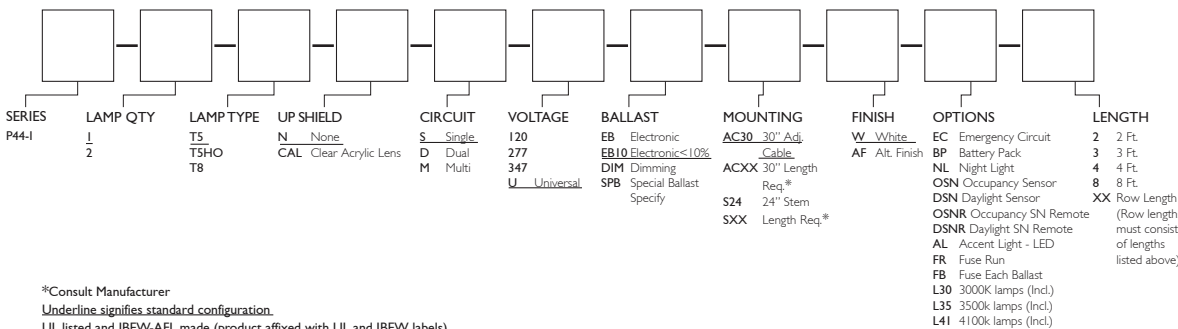
RC RV	80				70				50				30				10				0
	70	50	30	10	70	50	30	10	50	30	10	50	30	10	50	30	10	50	30	10	0
0	46	46	46	46	39	39	39	39	27	27	27	15	15	15	5	5	5	5	5	5	0
1	42	40	38	37	36	34	33	31	23	22	22	13	13	13	4	4	4	4	4	4	0
2	38	35	32	30	32	30	28	26	20	19	18	12	11	11	4	4	3	3	3	3	0
3	35	30	27	25	29	26	23	21	18	16	15	10	10	9	3	3	3	3	3	3	0
4	32	27	23	21	27	23	20	18	16	14	13	9	8	7	3	3	2	2	2	2	0
5	29	24	20	18	25	20	17	15	14	12	11	8	7	6	3	2	2	2	2	2	0
6	26	21	18	15	22	18	15	13	13	11	9	7	6	6	2	2	2	2	2	2	0
7	24	19	15	13	21	16	13	11	11	9	8	7	6	5	2	2	2	2	2	2	0
8	22	17	14	11	19	15	12	10	10	8	7	6	5	4	2	2	1	1	1	1	0
9	21	15	12	10	18	13	10	9	9	7	6	5	4	4	2	1	1	1	1	1	0
10	19	14	11	9	16	12	9	8	8	7	5	5	4	3	2	1	1	1	1	1	0

P44-I MOUNTING



P44-I ORDERING KEY

EXAMPLE P44-I-I-T5-N-S-U-EB10-AC30-W-4



*Consult Manufacturer
 Underline signifies standard configuration.
 UL listed and IBEW-AFL made (product affixed with UL and IBEW labels)
 ICON International reserves the right to change specifications for product improvements without notification

