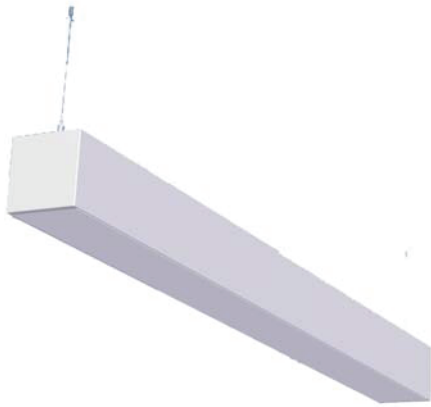


**P44-D DESCRIPTION**



Catalog #	Type
Project	
Comments	
Prepared by	Date

Prime family puts DESIGN back into your projects • Prime 44-D is the next evolutionary step in classic fixture design. It utilizes the latest technological advances in lamp, ballast and optic improvements. ICON also is breaking new ground by re-engineering mounting and joining details to help projects run smooth and reduce cost • Prime 44-D is designed around energy efficient T5, T5HO and T8 lamps for maximum performance • Movable Mounts along the length of the fixture allow it to be installed in new and remodel projects where you need it • Superior optic control choices, • Staggered lamps to minimize lamp socket shadow • Modular gear tray allows for different lamp configurations and field modifications • LED, Track and fluorescent can be combined in the same housing for maximum flexibility

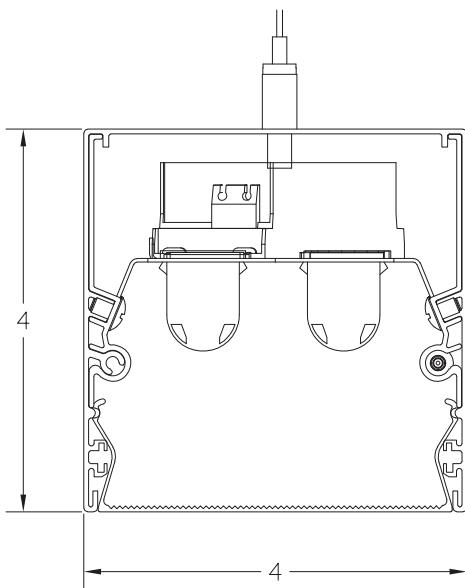
**P44-D SPECIFICATIONS**

**CONSTRUCTION** 6063-T5 extruded aluminum housing.  
**MOUNT** Fully adjustable stainless steel aircraft cable kit attached to a longitudinally adjustable die-formed steel yoke mount.  
**OPTICS** High performance white hybrid powder coat applied to an optically optimized reflector system.  
**ELECTRICAL** Pre-wired with factory installed branch circuit wiring and over-molded quick connects. SJT white power cord capable of carrying two independent circuits. UL listed class "P" thermally protected universal voltage electronic ballast with less than 10% THD.

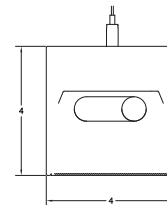
**FINISH** Standard housing finished in ICON White powder coat applied over a 5-stage corrosion inhibiting pre-treatment. Alternate finishes available. Consult factory.  
**APPLICATIONS** Open and Private Office, Conference, Lobby, Reception, Corridor, Educational Facility, Library, Museum, Retail, Supermarket, Food Service.  
**FAMILY OPTIONS**  
**PENDANT** Direct, Indirect, Direct/Indirect, Track, Pass-Through, and Asymmetrical. **Housing Size-** 2'x 3", 2'x 6", 4'x 4".  
**RECESSED** Ceiling, Track, and Asymmetrical. **Housing Size-** 2'x 3", 4'x 4"  
**WALL MOUNT** Direct, Indirect, Direct/Indirect, Track, Pass-Through, and Asymmetrical. **Housing Size-** 2'x 3", 2'x 6", 4'x 4"

PRIME PRIME 44 DIRECT

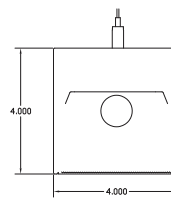
**P44-D LAMP CONFIGURATIONS**



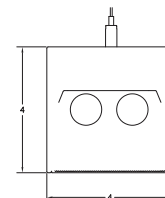
CROSS SECTION



1LT Stag T5



1 T8



2 T8

**P44-D PHOTO DISTRIBUTION**

**Candela Tabulation**

P44-D-2S-WAL

VERTICAL ANGLE	CANDLEPOWER DISTRIBUTION				
	HORIZONTAL ANGLE				
	0	22.5	45	67.5	90
0	0.0	22.5	45.0	67.5	90.0
5	1399.5	1399.5	1399.5	1399.5	1399.5
10	1364.4	1345.8	1332.0	1355.2	1329.5
15	1329.2	1312.8	1353.9	1334.5	1311.3
20	1276.1	1303.8	1308.4	1282.0	1275.2
25	1268.6	1264.7	1253.7	1263.4	1284.6
30	1203.1	1198.1	1198.2	1210.8	1217.4
35	1119.5	1126.6	1130.0	1143.8	1130.4
40	1026.6	1042.0	1042.4	1045.2	1040.0
45	940.1	953.2	951.6	977.3	975.4
50	870.3	865.1	873.9	887.0	863.6
55	781.5	784.3	776.6	772.0	762.2
60	680.7	678.0	670.0	667.0	669.3
65	562.1	576.7	589.2	576.1	570.5
70	452.6	450.1	472.4	470.8	466.0
75	380.3	379.0	361.1	371.7	366.2
80	263.4	269.5	274.3	267.5	269.4
85	130.9	138.4	165.8	194.2	186.7
90	53.6	51.1	66.6	107.8	109.8
95	14.1	13.4	24.1	56.9	67.5

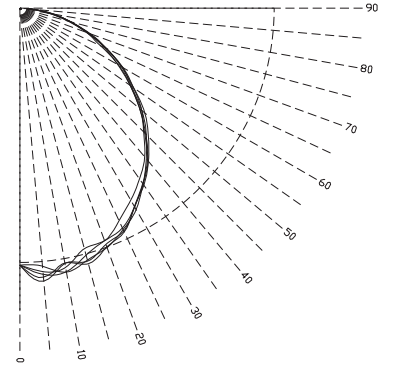
IES SPACING CRITERIA: END = 1.20 DIAGONAL = 1.34 CROSS = 1.22

Total Luminaire Efficiency: 65.9%

**Zonal Lumens**

Zone	Lumens	%Lamp	%Fxt
0-30	1049.36	18.1	27.4
0-40	1703.79	29.4	44.6
0-60	2980.35	51.4	77.9
0-90	3823.79	65.9	100
90-120	0	0	0
90-130	0	0	0
90-150	0	0	0
90-180	0	0	0
0-180	3823.79	65.9	100

Total Luminaire Efficiency = 65.90%

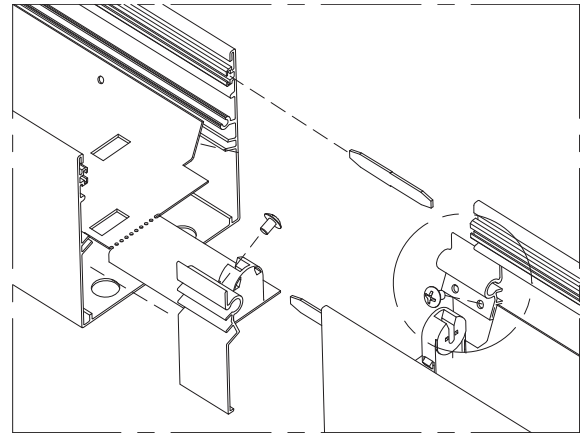
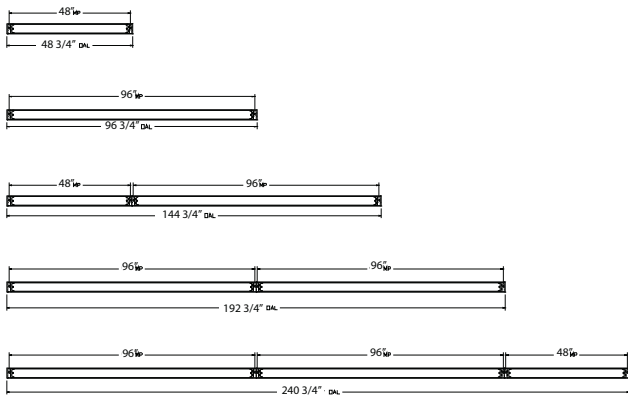


**Coefficients of Utilization- Zonal Cavity Method**

Effective Floor Cavity Reflectance 0.20

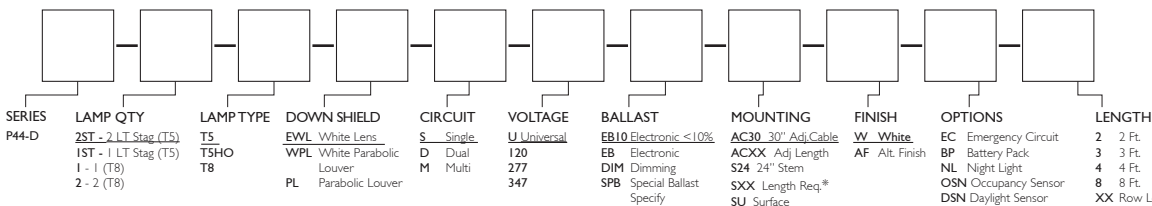
RC	80				70				50				30				10				0
	RV	70	50	30	10	70	50	30	10	50	30	10	50	30	10	50	30	10			
0	78	78	78	78	77	77	77	77	73	73	73	70	70	70	67	67	67	66			
1	71	68	65	63	70	67	64	62	64	62	60	61	60	58	59	57	56	55			
2	65	59	55	51	63	58	54	50	56	52	49	54	51	48	52	49	47	45			
3	59	52	47	42	58	51	46	42	49	45	41	47	44	40	46	42	40	38			
4	54	46	40	36	53	45	40	36	44	39	35	42	38	35	41	37	34	33			
5	50	41	35	31	48	40	35	31	39	34	30	38	33	30	37	33	30	28			
6	46	37	31	27	45	36	31	27	35	30	27	34	30	26	33	29	26	25			
7	43	34	28	24	41	33	28	24	32	27	23	31	27	23	30	26	23	22			
8	40	31	25	21	39	30	25	21	29	24	21	29	24	21	28	24	21	19			
9	37	28	23	19	36	28	23	19	27	22	19	26	22	19	26	22	19	18			
10	35	26	21	17	34	26	21	17	25	20	17	24	20	17	24	20	17	16			

**P44-D MOUNTING**



**P44-D ORDERING KEY**

EXAMPLE P44-D-2ST-T5-EWL-S-U-EB10-AC30-W-4



\*Consult Manufacturer

Underline signifies standard configuration.

UL listed and IBEW-AFL made (product affixed with UL and IBEW labels)

ICON International reserves the right to change specifications for product improvements without notification

- EC Emergency Circuit 2 2 Ft.
- BP Battery Pack 3 3 Ft.
- NL Night Light 4 4 Ft.
- OSN Occupancy Sensor 8 8 Ft.
- DSN Daylight Sensor XX Row Length
- OSNR Occupancy SN Remote (Row lengths must consist of lengths listed above)
- DSNR Daylight SN Remote
- AL Accent Light - LED
- FR Fuse Run
- FB Fuse Each Ballast
- L30 3000k lamps (Incl.)
- L35 3500k lamps (Incl.)
- L41 4100k lamps (Incl.)

