

P44-D-WM DESCRIPTION



Catalog #	Type
Project	
Comments	
Prepared by	Date

Prime family puts DESIGN back into your projects • Prime 44-D-WM is the next evolutionary step in classic fixture design. It utilizes the latest technological advances in lamp, ballast and optic improvements. ICON also is breaking new ground by re-engineering mounting and joining details to help projects • Prime 44-D-WM is designed around energy efficient T5, T5HO, T8, LED lamps for maximum performance • Superior optic control choices, White Lens (standard), Parabolic louver or White Parabolic louver optional • Staggered lamps to minimize lamp socket shadow • Modular gear tray allows for different lamp configurations and field modifications • Track and fluorescent can be combined in the same housing for maximum flexibility

P44-D-WM SPECIFICATIONS

CONSTRUCTION 6063-T5 extruded aluminum housing. Revolutionary die-cast aluminum

MOUNT Wall Arm is die-cast aluminum.

OPTICS High performance white hybrid powder coat applied to an optically optimized reflector system. Semi-specular blades with specular side rails or white parabolic louver. Other lens options, consult factory. Open aperture containing a high performance specular asymmetrical reflector system.

ELECTRICAL Pre-wired with factory installed branch circuit wiring and over-molded quick connects. UL listed class "P" thermally protected universal voltage electronic ballast with less than 10% THD.

FINISH Standard housing finished in ICON White powder coat applied over a 5-stage corrosion inhibiting pre-treatment.

MOUNT Wall arm finished in ICON White powder coat applied over a 5-stage corrosion inhibiting pre-treatment. Alternate finishes and transparent color over bonded chrome finish available. Consult factory.

APPLICATIONS Open and Private Office, Conference, Lobby, Reception, Corridor, Educational Facility, Library, Museum, Restroom, Retail, Supermarket, Food Service.

FAMILY OPTIONS

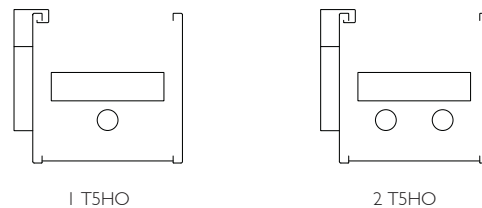
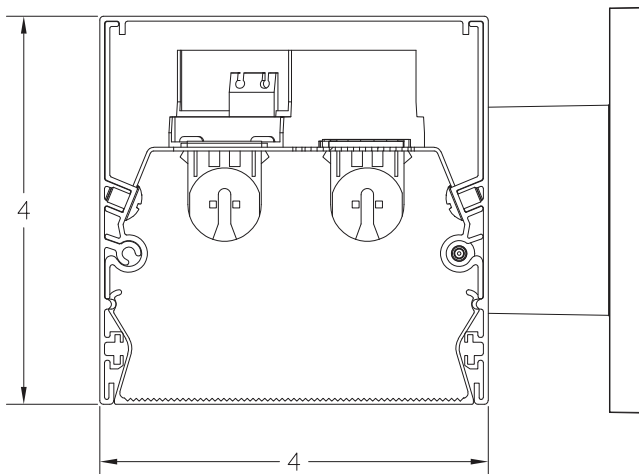
PENDANT Direct, Indirect, Direct/Indirect, Track, Pass-Through, and Asymmetrical. **Housing Size-** 2'x 3", 2'x 6", 4'x 4".

RECESSED Ceiling, Track, and Asymmetrical. **Housing Size-** 2'x 3", 4'x 4"

WALL MOUNT Direct, Indirect, Direct/Indirect, Track, Pass-Through, and Asymmetrical. **Housing Size-** 2'x 3", 2'x 6", 4'x 4"

PRIME PRIME 44 DIRECT WM

P44-D-WM LAMP CONFIGURATIONS



CROSS SECTION

P44-D-WM PHOTO DISTRIBUTION

Candela Tabulation

P44-D-2-T5-WAL

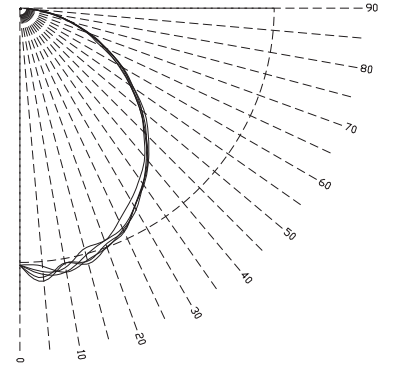
VERTICAL ANGLE	CANDLEPOWER DISTRIBUTION				
	HORIZONTAL ANGLE 0		HORIZONTAL ANGLE 90		
	22.5	45	67.5	90	
0	0.0	22.5	45.0	67.5	90.0
5	1399.5	1399.5	1399.5	1399.5	1399.5
10	1364.4	1345.8	1332.0	1355.2	1329.5
15	1329.2	1312.8	1353.9	1334.5	1311.3
20	1276.1	1303.8	1308.4	1282.0	1275.2
25	1268.6	1264.7	1253.7	1263.4	1284.6
30	1203.1	1198.1	1198.2	1210.8	1217.4
35	1119.5	1126.6	1130.0	1143.8	1130.4
40	1026.6	1042.0	1042.4	1045.2	1060.0
45	940.1	953.2	951.6	977.3	975.4
50	870.3	865.1	873.9	887.0	863.6
55	781.5	784.3	776.6	772.0	762.2
60	680.7	678.0	670.0	667.0	669.3
65	582.1	576.7	589.2	576.1	570.5
70	452.6	450.1	472.4	470.8	466.0
75	380.3	379.0	361.1	371.7	366.2
80	263.4	269.5	274.3	267.5	269.4
85	130.9	138.4	165.8	194.2	186.7
90	53.6	51.1	66.6	107.8	109.8
90	14.1	13.4	24.1	56.9	67.5

IES SPACING CRITERIA: END = 1.20 DIAGONAL = 1.34 CROSS = 1.22

Total Luminaire Efficiency: 65.9%

Zonal Lumens

Zone	Lumens	%Lamp	%Fxt
0-30	1049.36	18.1	27.4
0-40	1703.79	29.4	44.6
0-60	2980.35	51.4	77.9
0-90	3823.79	65.9	100
90-120	0	0	0
90-130	0	0	0
90-150	0	0	0
90-180	0	0	0
0-180	3823.79	65.9	100

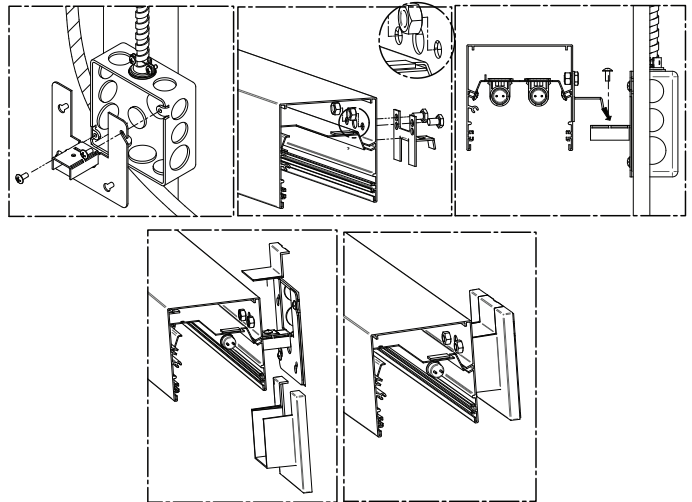
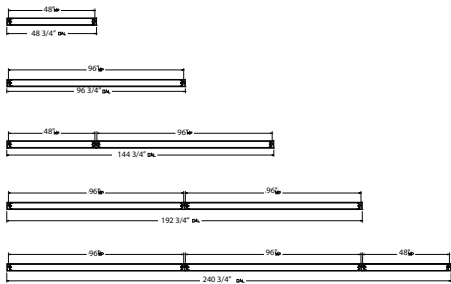


Coefficients of Utilization- Zonal Cavity Method

Effective Floor Cavity Reflectance 0.20

RC	70				50				30				10					
	RV	70	50	30	10	70	50	30	10	50	30	10	50	30	10	0		
0	78	78	78	78	77	77	77	77	73	73	73	70	70	70	67	67	67	66
1	71	68	65	63	70	67	64	62	64	62	60	61	60	58	59	57	56	55
2	65	59	55	51	63	58	54	50	56	52	49	54	51	48	52	49	47	45
3	59	52	47	42	58	51	46	42	49	45	41	47	44	40	46	42	40	38
4	54	46	40	36	53	45	40	36	44	39	35	42	38	35	41	37	34	33
5	50	41	35	31	48	40	35	31	39	34	30	38	33	30	37	33	30	28
6	46	37	31	27	45	36	31	27	35	30	27	34	30	26	33	29	26	25
7	43	34	28	24	41	33	28	24	32	27	23	31	27	23	30	26	23	22
8	40	31	25	21	39	30	25	21	29	24	21	29	24	21	28	24	21	19
9	37	28	23	19	36	28	23	19	27	22	19	26	22	19	26	22	19	18
10	35	26	21	17	34	26	21	17	25	20	17	24	20	17	24	20	17	16

P44-D-WM MOUNTING



P44-D-WM ORDERING KEY

EXAMPLE P44-D-WM-I-T5-EWL-S-U-EB10-W-4

SERIES	LAMP QTY	LAMP TYPE	DOWN SHIELD	CIRCUIT	VOLTAGE	BALLAST	FINISH	OPTIONS	LENGTH
P44-D-WM	1 2	T5 T5HO T8	EWL White Lens WPL White Parabolic Lower PL Parabolic Louver	S Single D Dual M Multi	120 277 347 U Universal	EB Electronic EB10 Electronic<10% DIM Dimming SPB Special Ballast Specify	W White AF Alt. Finish	EC Emergency Circuit BP Battery Pack NL Night Light OSN Occupancy Sensor DSN Daylight Sensor OSNR Occupancy SN Remote DSNR Daylight SN Remote AL Accent Light - LED EA Extended Arm 18" EAXX Extended Arm CF FR Fuse Run FB Fuse Each Ballast L30 3000K lamps (Incl.) L35 3500K lamps (Incl.) L41 4100K lamps (Incl.)	2 2 Ft. 3 3 Ft. 4 4 Ft. 8 8 Ft. XX Row Length (Row lengths must consist of lengths listed above)

*Consult Manufacturer
Underline signifies standard configuration.
 UL listed and IBEW-AFL made (product affixed with UL and IBEW labels)
 ICON International reserves the right to change specifications for product improvements without notification