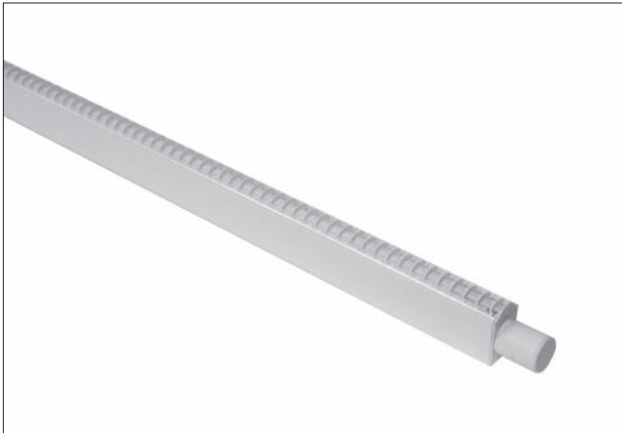


P23-I DESCRIPTION



Catalog #	Type
Project	
Comments	
Prepared by	Date

Prime family puts DESIGN back into your projects • Prime 23-I is an innovative, small scale modular lighting system. • Designed around energy efficient T5 and T5HO lamps for maximum performance • Unique connectors, ORBIT and CYLINDER, allow for a multitude of design options • ORBIT™ allows straight, 90°, "T" and "X" designs • CYLINDER™ is designed for linear applications giving you the additional ability to adjust the pitch of the fixture by 15° increments • Prime 23-I is designed as a Universal mounting fixture, direct or indirect, to allow changes and reconfiguration in the field that are common in today's projects

P23-I SPECIFICATIONS

CONSTRUCTION 6063-T5 extruded aluminum housing. Connectors are die-cast aluminum.

MOUNT Fully adjustable stainless steel aircraft cable kits.

OPTICS High performance white hybrid powder coat applied to an optically optimized reflector system. Extruded aluminum .075 thick snap in high reflectance white louver with integral clear lens tethered to housing. Additional lenses available.

ELECTRICAL Pre-wired with factory installed branch circuit wiring and over-molded quick connects. SJT white power cord capable of carrying two independent circuits. UL listed class "P" thermally protected universal voltage electronic ballast with less than 10% THD.

FINISH Standard housing finished in ICON White polyester powder coat applied over a 5-stage corrosion inhibiting pre-treatment. Alternate finishes and transparent color over bonded chrome finish available. Consult factory.

APPLICATIONS Open and Private Office, Conference, Lobby, Reception, Corridor, Educational Facility, Library, Museum, Retail, Supermarket, Food Service.

FAMILY OPTIONS

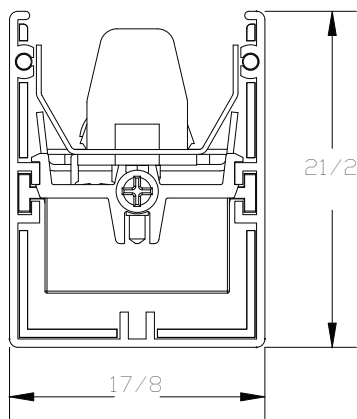
PENDANT Direct, Indirect, Direct/Indirect, Track, Pass-Through, and Asymmetrical. **Housing Size-** 2"x 3", 2"x 6", 4"x 4" Ceiling, Track, and Asymmetrical.

RECESSED **Housing Size-** 2"x 3", 4"x 4"

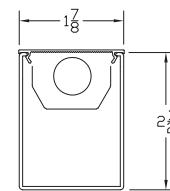
WALL MOUNT Direct, Indirect, Direct/Indirect, Track, Pass-Through, and Asymmetrical. **Housing Size-** 2"x 3", 2"x 6", 4"x 4"

PRIME PRIME 23 INDIRECT

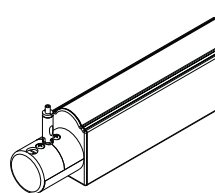
P23-I LAMP CONFIGURATIONS



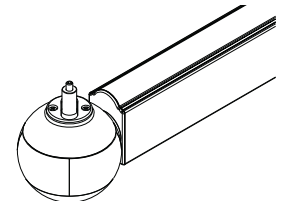
CROSS SECTION



1 T5/ 1T5HO



CYLINDER CONNECTOR



ORBIT CONNECTOR

P23-I PHOTO DISTRIBUTION

Candela Tabulation

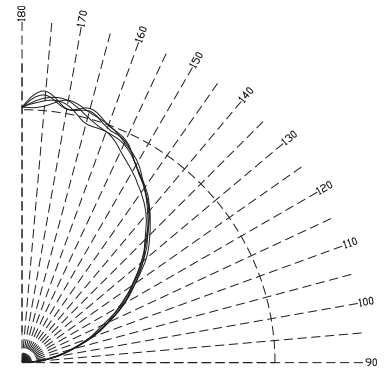
P23-I-TSHO-O

VERTICAL ANGLE	CANDLEPOWER DISTRIBUTION				
	HORIZONTAL ANGLE				
	0	22.5	45	67.5	90
90	15.1	14.2	14.7	13.6	14.1
95	86.6	71.6	66.2	68.2	73.4
100	192.4	171.2	160.0	169.4	165.5
105	291.0	287.5	268.4	297.9	284.9
110	375.6	401.8	384.1	412.8	431.1
115	461.3	529.6	495.1	527.3	558.1
120	541.6	620.5	618.4	630.8	665.4
125	650.0	711.0	728.2	740.5	756.7
130	714.1	782.7	840.0	856.4	870.5
135	789.6	860.7	916.9	947.2	966.5
140	873.3	952.7	992.6	1009.1	1015.5
145	946.6	1029.8	1082.9	1082.4	1093.8
150	1038.8	1105.1	1164.2	1182.2	1189.9
155	1062.3	1142.9	1227.9	1232.3	1239.2
160	1095.7	1136.9	1200.4	1267.2	1273.5
165	1137.6	1154.0	1201.4	1230.4	1240.3
170	1146.6	1130.7	1198.8	1205.6	1216.6
175	1140.9	1166.9	1166.4	1184.8	1157.3
180	1202.3	1202.3	1202.3	1202.3	1202.3

Total Luminaire Efficiency: 77.9%

Zonal Lumens

Zone	Lumens	%Lamp	%Fxt
0-30	0	0	0
0-40	0	0	0
0-60	0	0	0
0-90	0	0	0
90-120	897.68	18	23.1
90-130	1541.75	30.8	39.6
90-150	2897.97	58	74.4
90-180	3893.08	77.9	100
0-180	3893.08	77.9	100

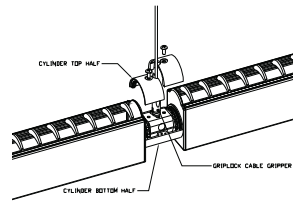
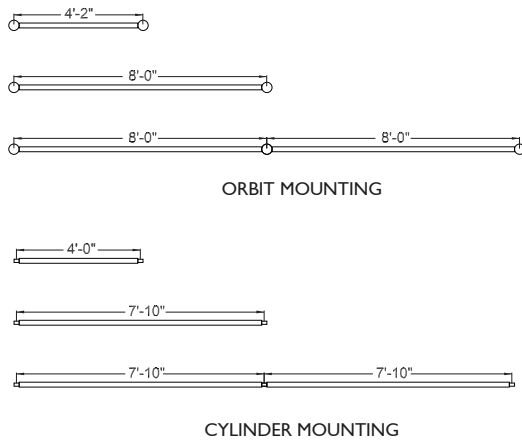


Coefficients of Utilization- Zonal Cavity Method

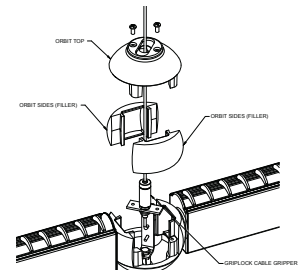
Effective Floor Cavity Reflectance 0.20

RC	50				70				50				30				10				0			
	RW	70	50	30	10	70	50	30	10	50	30	10	50	30	10	50	30	10	50	30	10	0		
0	74	74	74	74	63	63	63	63	43	43	43	25	25	25	8	8	8	0	0	0	0	0		
1	67	64	62	59	57	55	53	51	38	36	35	22	21	20	7	7	7	0	0	0	0	0		
2	61	56	52	48	52	48	45	42	33	31	29	19	18	17	6	6	6	0	0	0	0	0		
3	56	49	44	40	47	42	38	35	29	26	24	17	15	14	5	5	5	0	0	0	0	0		
4	51	43	38	33	43	37	33	29	26	23	20	15	13	12	5	4	4	0	0	0	0	0		
5	47	38	33	28	40	33	28	25	23	20	17	13	12	10	4	4	3	0	0	0	0	0		
6	43	34	28	24	36	29	25	21	20	17	15	12	10	9	4	3	3	0	0	0	0	0		
7	39	31	25	21	33	26	22	18	18	15	13	11	9	8	3	3	3	0	0	0	0	0		
8	36	27	22	18	31	24	19	16	16	13	11	10	8	7	3	3	2	0	0	0	0	0		
9	34	25	20	16	29	21	17	14	15	12	10	9	7	6	3	2	2	0	0	0	0	0		
10	31	23	17	14	27	19	15	12	14	11	9	8	6	5	3	2	2	0	0	0	0	0		

P23-I MOUNTING



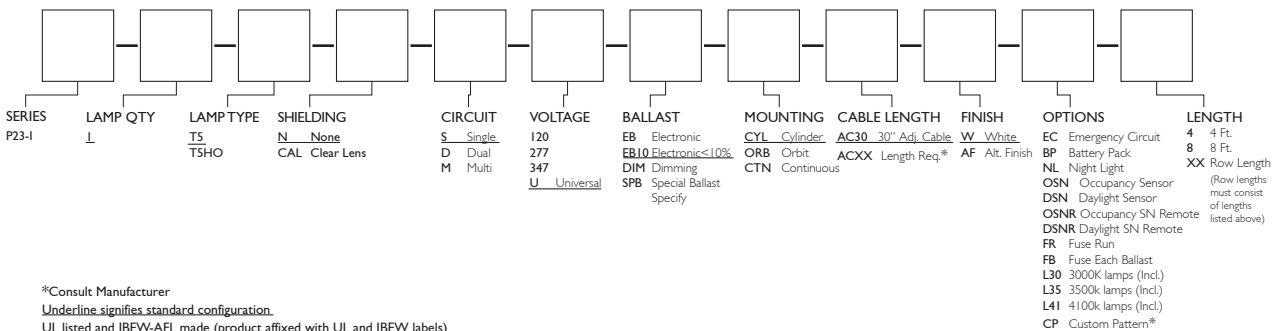
CYLINDER JOINING



ORBIT JOINING

P23-I ORDERING KEY

EXAMPLE P23-I-I-T5-N-S-U-EB10-CYL-AC30-W-4



*Consult Manufacturer
 Underline signifies standard configuration.
 UL listed and IBEW-AFL made (product affixed with UL and IBEW labels)
 ICON International reserves the right to change specifications for product improvements without notification

