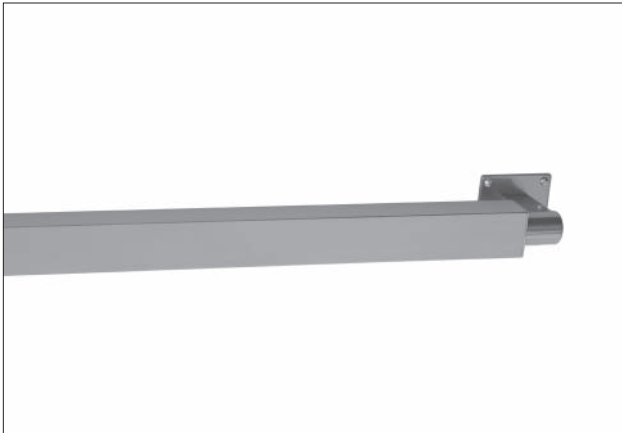


P23-D-WM DESCRIPTION



| | |
|-------------|------|
| Catalog # | Type |
| Project | |
| Comments | |
| Prepared by | Date |

Prime family puts DESIGN back into your projects • Prime 23-D-WM is an innovative, small scale modular lighting system • Designed around energy efficient T5 and T5HO lamps for maximum performance • CYLINDER WALL MOUNT™ is designed for linear applications giving you the additional ability to adjust the pitch of the fixture by 15° increments • Prime 23-D-WM is designed as a Universal mounting fixture, direct or indirect, to allow changes and reconfiguration in the field that are common in today's projects

P23-D-WM SPECIFICATIONS

CONSTRUCTION 6063-T5 extruded aluminum housing. Connectors are die-cast aluminum.

MOUNT Wall arm is die-cast aluminum.

OPTICS High performance white hybrid powder coat applied to an optically optimized reflector system. Extruded aluminum .075 thick snap in high-reflectance white louver with integral clear lens tethered to housing. Additional lenses available. Optional asymmetrical reflector is finished with high performance white powder coat applied to an optically optimized reflector system.

ELECTRICAL Pre-wired with factory installed branch circuit wiring and over-molded quick connects. UL listed class "P" thermally protected universal voltage electronic ballast with less than 10% THD

FINISH Standard housing finished in ICON White polyester powder coat applied over a 5-stage corrosion inhibiting pre-treatment.

APPLICATIONS Open and Private Office, Conference, Lobby, Reception, Corridor, Educational Facility, Library, Museum, Restroom, Retail, Supermarket, Food Service.

FAMILY OPTIONS

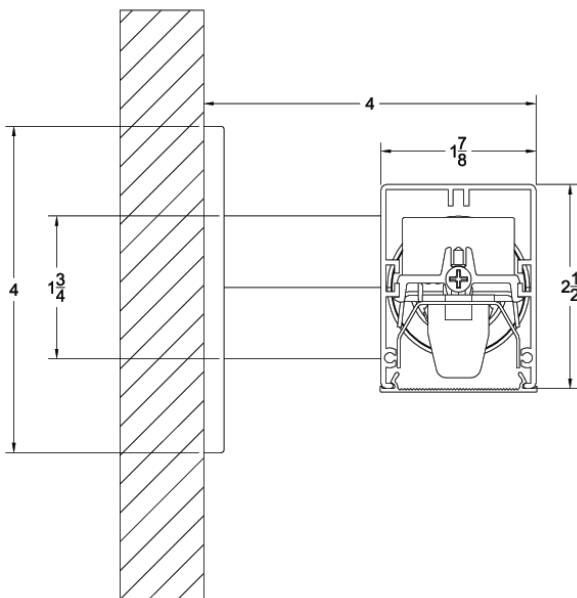
PENDANT Direct, Indirect, Direct/Indirect, Track, Pass-Through, and Asymmetrical. **Housing Size-** 2'x 3", 2'x 6", 4'x 4"

RECESSED Ceiling, Track, and Asymmetrical. **Housing Size-** 2'x 3", 4'x 4"

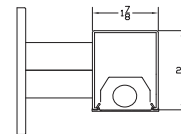
WALL MOUNT Direct, Indirect, Direct/Indirect, Track, Pass-Through, and Asymmetrical. **Housing Size-** 2'x 3", 2'x 6", 4'x 4"

PRIME PRIME 23 DIRECT WM

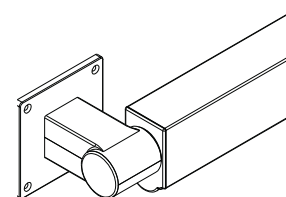
P23-D-WM LAMP CONFIGURATIONS



CROSS SECTION



1 T5/ 1T5HO



P23-D-WM END

P23-D-WM PHOTO DISTRIBUTION

Candela Tabulation

P23-D-WM-I-TSHO-RWB

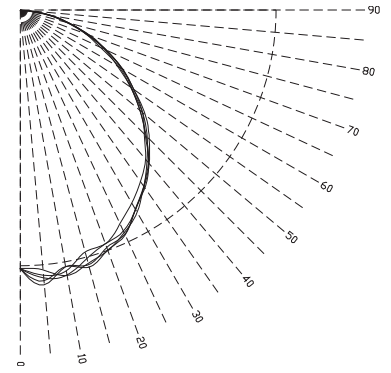
| VERTICAL ANGLE | CANDLEPOWER DISTRIBUTION | | | | |
|----------------|--------------------------|--------|------------------|--------|--------|
| | HORIZONTAL ANGLE | | HORIZONTAL ANGLE | | |
| | 0 | 22.5 | 45 | 67.5 | 90 |
| 0 | 0.0 | 22.5 | 45.0 | 67.5 | 90.0 |
| 5 | 1091.3 | 1091.3 | 1091.3 | 1091.3 | 1091.3 |
| 10 | 1123.2 | 1135.2 | 1164.7 | 1100.4 | 1148.0 |
| 15 | 1118.4 | 1136.8 | 1101.3 | 1138.6 | 1099.8 |
| 20 | 1057.8 | 1086.7 | 1113.5 | 1108.2 | 1124.2 |
| 25 | 1051.0 | 1051.4 | 1067.6 | 1082.0 | 1079.9 |
| 30 | 997.0 | 1030.8 | 1045.1 | 1038.2 | 1049.4 |
| 35 | 942.6 | 974.9 | 974.3 | 988.7 | 973.2 |
| 40 | 886.4 | 912.7 | 918.6 | 911.6 | 910.6 |
| 45 | 825.3 | 849.2 | 846.8 | 844.1 | 835.7 |
| 50 | 744.1 | 773.4 | 750.1 | 757.0 | 760.7 |
| 55 | 677.6 | 693.7 | 665.5 | 664.3 | 676.8 |
| 60 | 590.1 | 591.9 | 573.3 | 575.1 | 579.9 |
| 65 | 507.8 | 500.5 | 489.0 | 480.9 | 504.4 |
| 70 | 410.2 | 407.0 | 381.9 | 399.9 | 408.8 |
| 75 | 323.3 | 306.3 | 304.6 | 315.1 | 318.8 |
| 80 | 222.9 | 214.7 | 227.8 | 229.6 | 222.7 |
| 85 | 140.6 | 139.6 | 148.6 | 152.3 | 155.4 |
| 90 | 56.0 | 73.4 | 81.0 | 74.2 | 74.5 |
| | 15.8 | 30.0 | 30.6 | 25.5 | 17.1 |

IES SPACING CRITERIA: END = 1.28 DIAGONAL = 1.40 CROSS = 1.32 LUMINAIRE EFFICIENCY = 65.9%

Total Luminaire Efficiency: 65.9%

Zonal Lumens

| Zone | Lumens | %Lamp | %Fxt |
|--------|---------|-------|------|
| 0-30 | 892.1 | 17.8 | 27.1 |
| 0-40 | 1462.05 | 29.2 | 44.4 |
| 0-60 | 2569.88 | 51.4 | 78 |
| 0-90 | 3293.5 | 65.9 | 100 |
| 90-120 | 0 | 0 | 0 |
| 90-130 | 0 | 0 | 0 |
| 90-150 | 0 | 0 | 0 |
| 90-180 | 0 | 0 | 0 |
| 0-180 | 3293.5 | 65.9 | 100 |

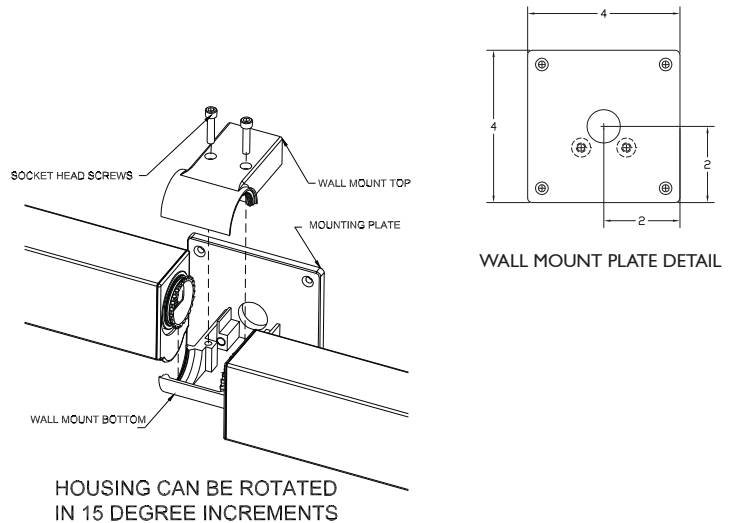
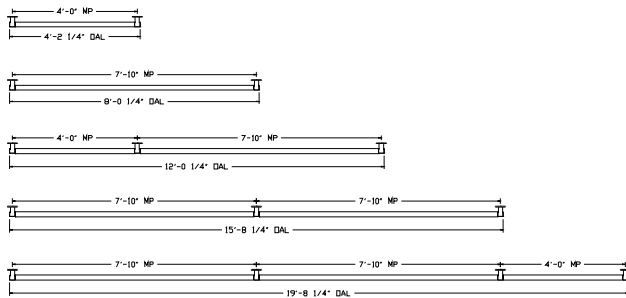


Coefficients of Utilization- Zonal Cavity Method

Effective Floor Cavity Reflectance 0.20

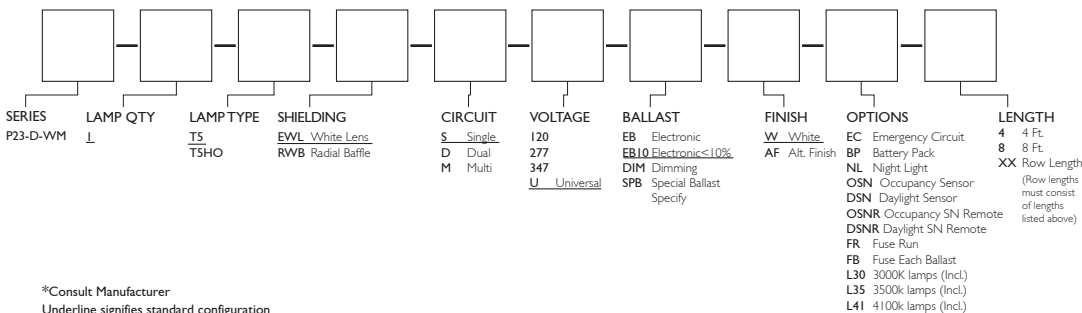
| RC R/V | 70 | | | 50 | | | 30 | | | 10 | | | 0 | | | | | |
|--------|----|----|----|----|----|----|----|----|----|----|----|----|----|----|----|----|----|----|
| | 70 | 50 | 30 | 70 | 50 | 30 | 70 | 50 | 30 | 70 | 50 | 30 | 70 | 50 | 30 | | | |
| 0 | 78 | 78 | 78 | 78 | 77 | 77 | 77 | 77 | 73 | 73 | 73 | 70 | 70 | 70 | 67 | 67 | 67 | 66 |
| 1 | 71 | 68 | 65 | 63 | 70 | 67 | 64 | 62 | 64 | 62 | 60 | 61 | 59 | 58 | 59 | 57 | 56 | 55 |
| 2 | 65 | 59 | 55 | 51 | 63 | 58 | 54 | 50 | 56 | 52 | 49 | 54 | 51 | 48 | 51 | 49 | 47 | 45 |
| 3 | 59 | 52 | 47 | 42 | 57 | 51 | 46 | 42 | 49 | 45 | 41 | 47 | 43 | 40 | 45 | 42 | 40 | 38 |
| 4 | 54 | 46 | 40 | 36 | 53 | 45 | 40 | 35 | 44 | 39 | 35 | 42 | 38 | 34 | 41 | 37 | 34 | 33 |
| 5 | 50 | 41 | 35 | 31 | 48 | 40 | 35 | 31 | 39 | 34 | 30 | 38 | 33 | 30 | 36 | 33 | 30 | 28 |
| 6 | 46 | 37 | 31 | 27 | 45 | 36 | 31 | 27 | 35 | 30 | 26 | 34 | 30 | 26 | 33 | 29 | 26 | 25 |
| 7 | 43 | 34 | 28 | 24 | 41 | 33 | 27 | 24 | 32 | 27 | 23 | 31 | 27 | 23 | 30 | 26 | 23 | 22 |
| 8 | 40 | 31 | 25 | 21 | 39 | 30 | 25 | 21 | 29 | 24 | 21 | 28 | 24 | 21 | 28 | 24 | 21 | 19 |
| 9 | 37 | 28 | 23 | 19 | 36 | 28 | 22 | 19 | 27 | 22 | 19 | 26 | 22 | 19 | 26 | 22 | 19 | 17 |
| 10 | 35 | 26 | 21 | 17 | 34 | 26 | 21 | 17 | 25 | 20 | 17 | 24 | 20 | 17 | 24 | 20 | 17 | 16 |

P23-D-WM MOUNTING



P23-D-WM ORDERING KEY

EXAMPLE P23-D-WM-I-T5-EWL-S-U-EB10-W-4



*Consult Manufacturer
 Underline signifies standard configuration.
 UL listed and IBEW-AFL made (product affixed with UL and IBEW labels)
 ICON International reserves the right to change specifications for product improvements without notification

