

P44-WW-2120 DESCRIPTION



Catalog #	Type
Project	
Comments	
Prepared by	Date

The Prime 44 WW 2120/2121 lighting system provides distinctive perimeter lighting for a variety of applications from classrooms to boardrooms, hallways to restrooms. • A cross blade aluminum baffle, lens, or open aperture for a floating ceiling illusion is available • Any space is accommodated using telescopic housing assemblies and internal telescoping light strips at the ends of rows to accommodate wall imperfections and even illumination. • A unique snap in light strip allows for easy installation and maintenance.

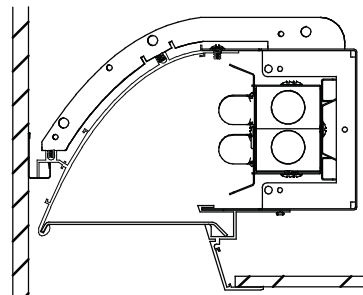
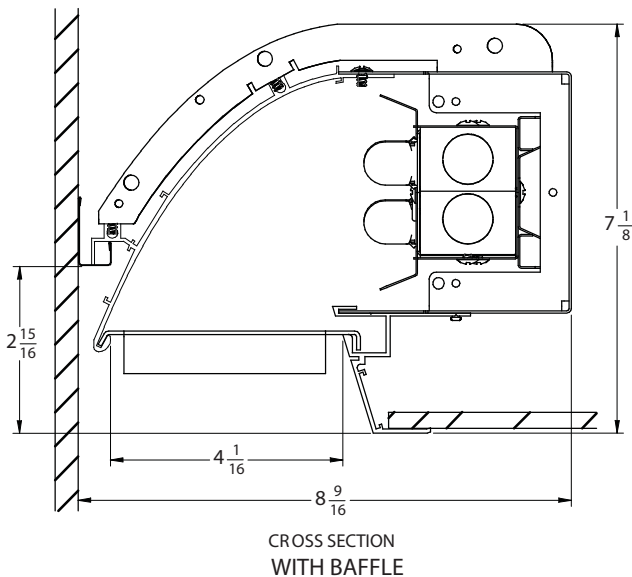
P44-WW-2120 SPECIFICATIONS

- CONSTRUCTION** 6063-T5 Extruded aluminum wall reflector and 20 GA CRS
- OPTICS** High performance white hybrid powder coat applied to an optimized reflector system. White acrylic lens. Other options are white cross blade baffle
- ELECTRICAL** Pre-wired with factory installed branch circuit wiring and over-molded quick connects. UL listed class "P" thermally protected electronic ballast. Optional DALI dimming as well as other ballasts available.

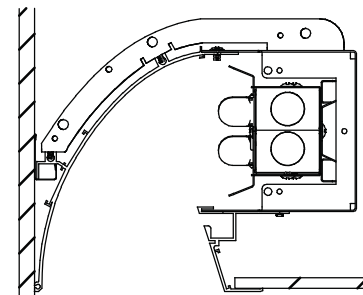
- FINISH** Standard housing finished in ICON White powder coat applied over a 5-stage corrosion inhibiting pre-treatment.
- APPLICATIONS** Retail, Educational Facility, Library, Open Office, Private Office, Reception Area, Conference Room Lobby, Corridor, Hospitality, Cafeteria, Medical Center, House of Worship, Rest Rooms.
- OTHER** Energy saving options available (consult factory)

PRIME PRIME 44 WW 2120 / 2121

P44-WW-2120 LAMP CONFIGURATIONS



WITH LENS

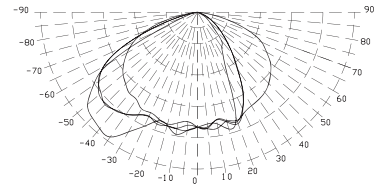


OPEN 2121

PRIME 44-WW-2120 PHOTO DISTRIBUTION

Candela Tabulation Photometry based on standard
P44-WW-2120-1ST-T5-N

Total Luminaire Efficiency: 60.5%:



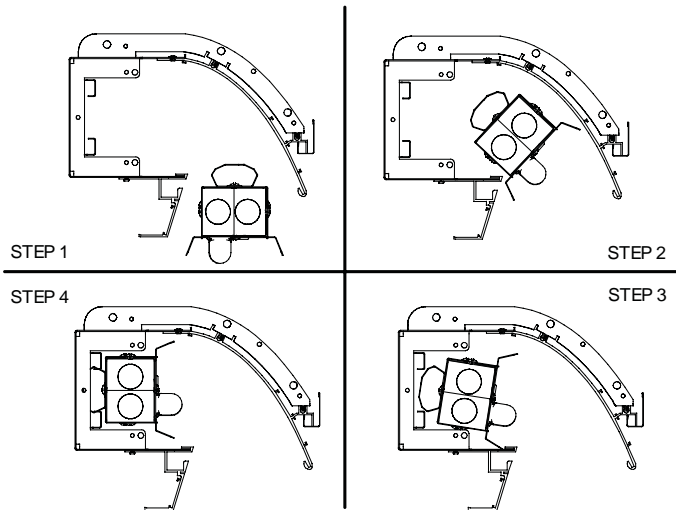
Vertical Angle	Candlepower Distribution								
	Horizontal Angle								
	0	45	90	135	180	225	270	315	360
0	574.15	574.15	574.15	574.15	574.15	574.15	574.15	574.15	574.15
5	562.44	540.06	554.86	549.21	574.05	550.67	570.49	555.36	562.44
10	569.74	544.05	511.31	538.88	558.69	572.00	608.19	563.88	569.74
15	550.94	540.60	581.36	547.93	552.67	573.05	572.86	599.44	550.94
20	543.84	578.92	551.61	568.19	551.77	568.34	551.15	572.22	543.84
25	541.78	531.83	346.88	518.95	537.93	567.31	604.34	557.36	541.78
30	518.62	431.89	243.62	436.72	531.38	568.79	679.68	580.16	518.62
35	527.75	332.26	201.41	341.09	528.09	595.53	751.74	609.21	527.75
40	505.11	269.94	181.99	268.23	516.05	645.45	729.89	625.01	505.11
45	493.42	210.81	118.72	212.53	498.35	633.05	744.05	626.86	493.42
50	472.49	155.08	84.79	160.33	465.67	632.59	697.03	619.35	472.49
55	427.55	111.27	59.23	111.35	430.48	593.59	625.80	589.59	427.55
60	391.27	80.24	40.21	81.00	403.52	534.76	503.41	535.35	391.27
65	337.99	51.04	26.00	53.22	342.81	410.19	222.64	415.35	337.99
70	261.35	26.59	7.84	25.74	272.49	238.98	74.89	244.22	261.35
75	173.09	11.08	0.87	9.93	175.31	106.79	35.64	103.60	173.09
80	79.37	2.39	0.73	2.66	77.61	29.16	3.08	27.59	79.37
85	14.91	1.02	0.78	1.15	15.39	4.40	1.22	4.88	14.91
90	2.39	0.24	1.05	0.24	2.52	3.39	0.91	3.21	2.39

ZONAL LUMENS			
Zone	Lumens	%Lamp	%Fixt
0-30	459	15.8	26.1
0-40	762	26.3	43.4
0-60	1430	49.3	81.5
0-90	1755	60.5	100.0
90-120	0	0	0
90-150	0	0	0
90-180	0	0	0
0-180	1755	60.5	100.0

Coefficients of Utilization- Zonal Cavity Method
Effective Floor Cavity Reflectance- 0.20

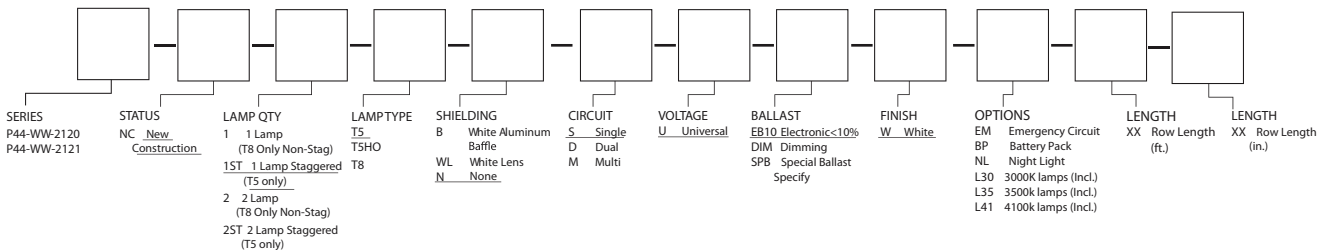
RC	70	80	10	70	80	10	50	50	10	50	30	10	50	30	10	50	10	0
0	72	72	72	72	70	70	70	67	67	64	64	64	62	62	62	60	60	60
1	66	63	61	59	65	62	60	58	60	56	56	54	52	52	52	50	50	50
2	60	55	51	48	59	54	51	47	52	49	46	44	41	38	36	36	36	36
3	55	49	44	40	53	48	43	39	46	42	39	36	32	28	26	26	26	26
4	50	43	38	34	49	42	37	33	41	36	33	30	27	24	21	21	21	21
5	46	38	33	29	45	37	32	28	36	32	28	25	22	19	18	18	18	18
6	42	34	29	25	41	34	28	25	33	28	25	22	19	17	16	16	16	16
7	39	31	26	22	38	30	25	22	29	25	22	19	17	16	16	16	16	16
8	36	28	23	19	35	28	23	19	27	22	19	17	16	16	16	16	16	16
9	33	26	21	17	32	25	21	17	25	20	17	16	16	16	16	16	16	16
10	32	24	19	16	31	23	19	16	23	18	15	15	14	14	14	14	14	14

P44-WW-2120 MOUNTING



P44-WW-2120 ORDERING KEY

EXAMPLE P44-WW-2120-NC-1ST-T5-N-S-U-EB10-W



*Consult Manufacturer
Underline signifies standard configuration
UL listed and IBEW-AFL made (product affixed with UL and IBEW labels)
ICON International reserves the right to change specifications for product improvements without notification

