

P23-TRK DESCRIPTION



Catalog #	Type
Project	
Comments	
Prepared by	Date

Prime family puts DESIGN back into your projects • Prime 23-TRK is an innovative, small scale modular lighting system • Prime 23-TRK "J" or "H" style Track housing allows you to design a continuous, uninterrupted lighting system • Unique connectors, ORBIT and CYLINDER, allow for a multitude of design options • ORBIT™ allows straight, 90°, "T" and "X" designs • CYLINDER™ is designed for linear applications giving you the additional ability to adjust the pitch of the fixture by 15° • Prime 23-TRK is designed as a universal mounting fixture, direct or indirect, to allow changes and reconfiguration in the field that are common in today's projects A variety of Metal Halide and MR-16 /PAR lamps are available. LED trackheads are a popular energy saving option.

P23-TRK SPECIFICATIONS

CONSTRUCTION

HOUSING 6063-T5 extruded aluminum housing. Connectors are die-cast aluminum.

TRACK Standard "J" or "H" style aluminum housing.

MOUNT Fully adjustable stainless steel aircraft cable kits.

ELECTRICAL

TRACK Pre-wired with factory installed branch circuit wiring and over-molded quick connects. SJT white power cord.

FINISH

HOUSING Standard housing finished in ICON White powder coat applied over a 5-stage corrosion inhibiting pre-treatment. Alternate finishes available. Consult factory

TRACK Standard housing finished in black polyester powder coat applied over a 5-stage corrosion inhibiting pre-treatment.

APPLICATIONS Open and Private Office, Conference Room Lobby, Reception, Corridor, Educational Facility, Library, Museum, Restroom, Retail, Supermarket, Food Service

FAMILY OPTIONS

PENDANT Direct, Indirect, Direct/Indirect, and Track.

Housing Size- 2" x 3", 4" x 4"

RECESSED Ceiling Track and Track.

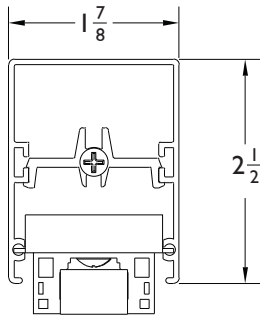
Housing Size- 2" x 3", 4" x 4"

WALL MOUNT Direct, Indirect, Direct/Indirect, and Track.

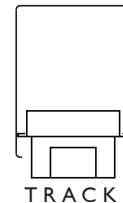
Housing Size- 2" x 3", 4" x 4"

PRIME PRIME 23 TRACK

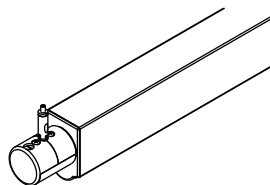
P23-TRK CONFIGURATIONS



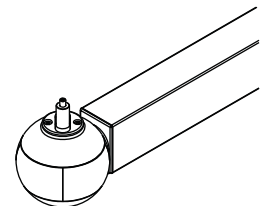
CROSS SECTION



TRACK



CYLINDER END



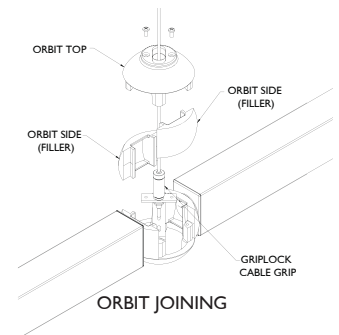
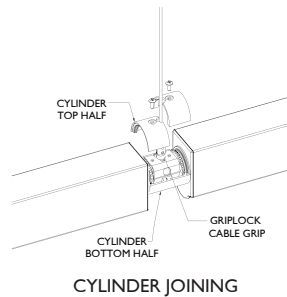
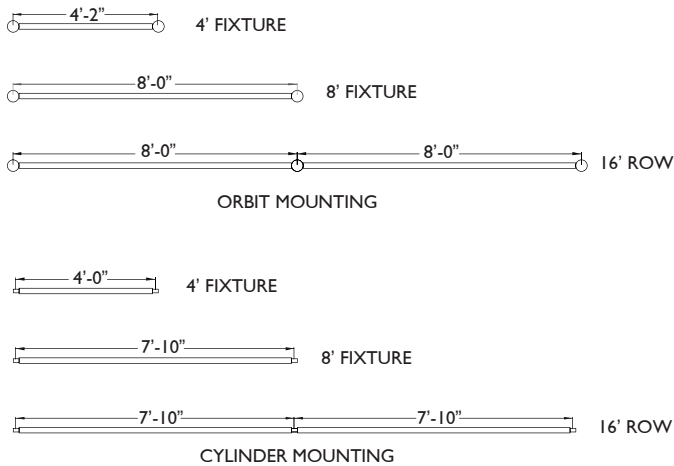
ORBIT END

P23-TRK PHOTO DISTRIBUTION

Candela Tabulation

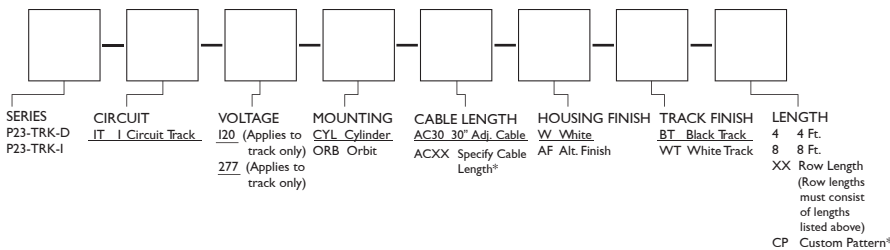
NOT APPLICABLE TO THIS PRODUCT

P23-TRK MOUNTING



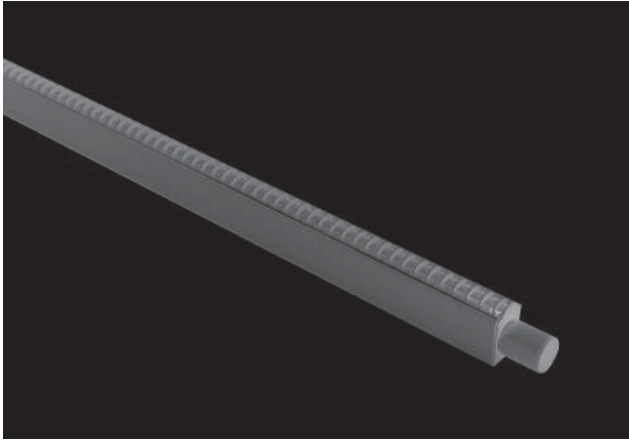
P23-TRK ORDERING KEY

EXAMPLE P23-TRK-D-1T-120-CYL-AC30-W-BT-4



*Consult Manufacturer
 Underline signifies standard configuration
 UL listed and IBEW-AFL made (product affixed with UL and IBEW labels)
 ICON International reserves the right to change specifications for product improvements without notification

P23-I DESCRIPTION



Catalog #	Type
Project	
Comments	
Prepared by	Date

Prime family puts DESIGN back into your projects • Prime 23-I is an innovative, small scale modular lighting system. • Designed around energy efficient T5 and T5HO lamps for maximum performance • Unique connectors, ORBIT and CYLINDER allow for a multitude of design options • ORBIT™ allows straight, 90°, "T" and "X" designs • CYLINDER™ is designed for linear applications giving you the additional ability to adjust the pitch of the fixture by 15° increments. • Prime 23-I is designed as a Universal mounting fixture, direct or indirect, to allow changes and reconfiguration in the field that are common in today's projects

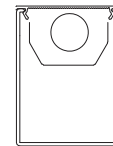
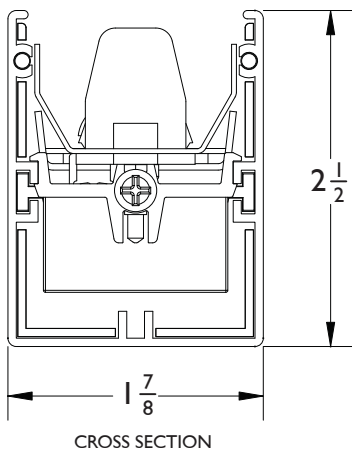
P23-I SPECIFICATIONS

- CONSTRUCTION** 6063-T5 extruded aluminum housing. Connectors are die-cast aluminum.
- MOUNT** Fully adjustable stainless steel aircraft cable kits, galvanized steel with an integral torsion spring.
- OPTICS** High performance white hybrid powder coat applied to an optimized reflector system. Extruded aluminum .075 thick snap in high reflectance white louver with integral clear lens tethered to housing. Additional lenses available.
- ELECTRICAL** Pre-wired with factory installed branch circuit wiring and over-molded quick connects. SJT white power cord capable of carrying two independent circuits. UL listed class "P" thermally protected universal voltage electronic ballast with less than 10% THD.

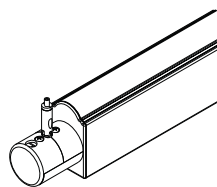
- FINISH** Standard housing finished in ICON White polyester powder coat applied over a 5-stage corrosion inhibiting pre-treatment. Alternate finishes and transparent color over bonded chrome finish available. Consult factory.
- APPLICATIONS** Open Office, Private Office, Conference Room, Lobby, Reception, Corridor, Educational Facility, Museum, Retail, Supermarket, Food Service.
- FAMILY OPTIONS**
- PENDANT** Direct, Indirect, Direct/Indirect, and Track.
Housing Size- 2" x 3", 4" x 4"
- RECESSED** Ceiling Track and Track.
Housing Size- 2" x 3", 4" x 4"
- WALL MOUNT** Direct, Indirect, Direct/Indirect, and Track.
Housing Size- 2" x 3", 4" x 4"

PRIME PRIME 23 INDIRECT

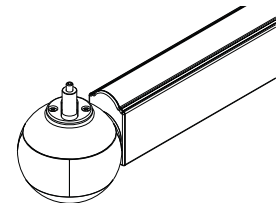
P23-I LAMP CONFIGURATIONS



I T5/ IT5HO



CYLINDER CONNECTOR



ORBIT CONNECTOR

P23-I PHOTO DISTRIBUTION

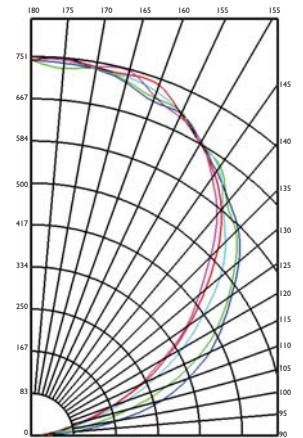
Candela Tabulation
P23-I-I-T5-N

Photometry based on standard

Total Luminaire Efficiency: 79.3%

Vertical Angle	Candlepower Distribution Horizontal Angle				
	0	22.5	45	67.5	90
90	17.50	8.07	3.60	4.34	3.96
95	77.40	42.55	25.44	28.05	29.25
100	177.01	114.99	67.83	55.42	55.01
105	264.80	200.47	126.47	110.11	101.07
110	328.79	284.12	196.72	170.34	166.12
115	389.66	362.49	270.82	242.51	234.10
120	437.18	424.26	346.34	308.59	297.72
125	483.33	475.72	415.33	380.87	373.61
130	536.20	526.62	487.49	449.72	433.58
135	578.60	572.01	542.64	522.01	502.10
140	607.35	601.89	590.12	584.82	571.54
145	639.09	651.62	646.61	632.02	623.71
150	671.65	668.10	672.74	668.32	672.34
155	703.06	705.38	702.99	701.23	695.75
160	703.83	711.40	724.89	738.52	714.17
165	723.48	727.24	734.69	739.90	747.82
170	736.97	738.75	736.84	740.46	742.09
175	740.45	729.63	750.57	750.16	746.48
180	744.29	744.29	744.29	744.29	744.29

Zonal Lumen Summary			
Zone	Lumens	%Lamp	%Fixt
0-30	0	0	0
0-40	0	0	0
0-50	0	0	0
0-90	0	0	0
90-120	501	17.3	21.8
90-150	1695	58.5	73.7
90-180	2299	79.3	100.0
0-180	2299	79.3	100.0

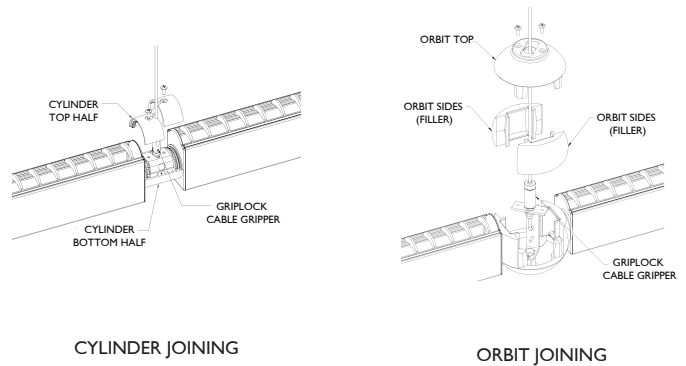
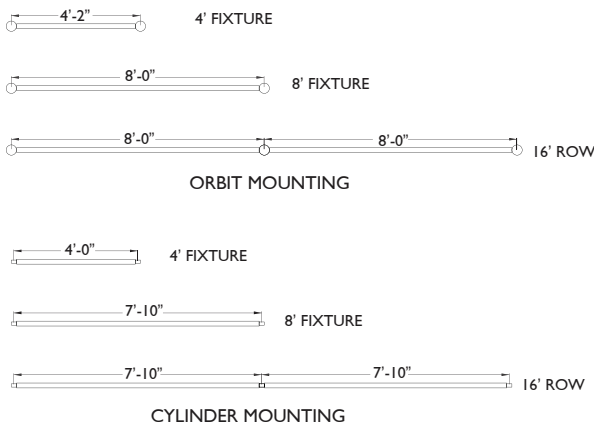


Coefficients of Utilization - Zonal Cavity Method

Effective Floor Cavity Reflectance: 0.20

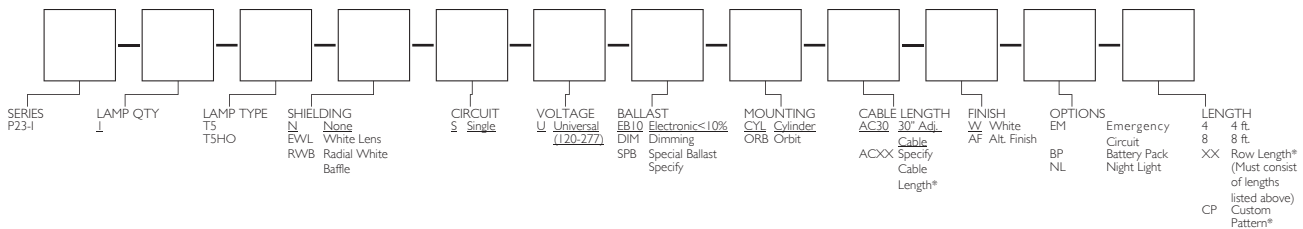
RC	80		70		50		30		10		0	
RW	70	50	30	10	70	50	30	10	50	30	10	0
0	0.00	0.00	0.00	0.00	0.00	0.00	0.00	0.00	0.00	0.00	0.00	0.00
1	0.00	0.00	0.00	0.00	0.00	0.00	0.00	0.00	0.00	0.00	0.00	0.00
2	0.00	0.00	0.00	0.00	0.00	0.00	0.00	0.00	0.00	0.00	0.00	0.00
3	0.00	0.00	0.00	0.00	0.00	0.00	0.00	0.00	0.00	0.00	0.00	0.00
4	0.00	0.00	0.00	0.00	0.00	0.00	0.00	0.00	0.00	0.00	0.00	0.00
5	0.00	0.00	0.00	0.00	0.00	0.00	0.00	0.00	0.00	0.00	0.00	0.00
6	0.00	0.00	0.00	0.00	0.00	0.00	0.00	0.00	0.00	0.00	0.00	0.00
7	0.00	0.00	0.00	0.00	0.00	0.00	0.00	0.00	0.00	0.00	0.00	0.00
8	0.00	0.00	0.00	0.00	0.00	0.00	0.00	0.00	0.00	0.00	0.00	0.00
9	0.00	0.00	0.00	0.00	0.00	0.00	0.00	0.00	0.00	0.00	0.00	0.00
10	0.00	0.00	0.00	0.00	0.00	0.00	0.00	0.00	0.00	0.00	0.00	0.00

P23-I MOUNTING



P23-I ORDERING KEY

EXAMPLE P23-I-I-T5-N-S-U-EB10-CYL-AC30-W-4

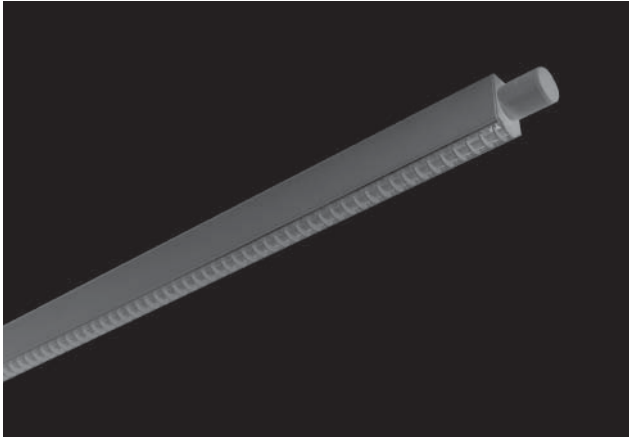


*Consult Manufacturer
 Underline signifies standard configuration
 UL listed and IBEW-AFL made (product affixed with UL and IBEW labels)
 ICON International reserves the right to change specifications for product improvements without notification



P23-D

DESCRIPTION



Catalog #	Type
Project	
Comments	
Prepared by	Date

Prime family puts DESIGN back into your projects • Prime 23-D is an innovative, small scale modular lighting system. • Designed around energy efficient T5 and T5HO lamps for maximum performance • Unique connectors, ORBIT and CYLINDER allow for a multitude of design options • ORBIT™ allows straight, 90°, "T" and "X" designs • CYLINDER™ is designed for linear applications giving you the additional ability to adjust the pitch of the fixture by 15° increments. • Prime 23-D is designed as a Universal mounting fixture, direct or indirect, to allow changes and reconfiguration in the field that are common in today's projects

P23-D

SPECIFICATIONS

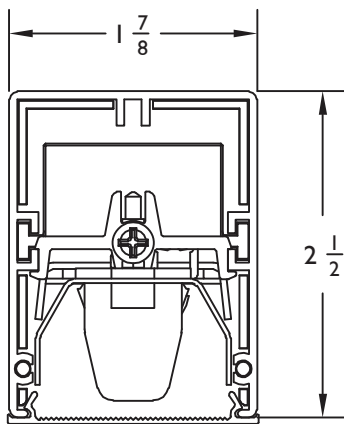
- CONSTRUCTION** 6063-T5 extruded aluminum housing. Connectors are die-cast aluminum.
- MOUNT** Fully adjustable stainless steel aircraft cable kits.
- OPTICS** High performance white hybrid powder coat applied to an optimized reflector system. Extruded aluminum .075 thick snap in high reflectance white louver with integral clear lens tethered to housing. Additional lenses available.
- ELECTRICAL** Pre-wired with factory installed branch circuit wiring and over-molded quick connects. SJT white power cord capable of carrying two independent circuits. UL listed class "P" thermally protected universal voltage electronic ballast with less than 10% THD.

- FINISH** Standard housing finished in ICON White polyester powder coat applied over a 5-stage corrosion inhibiting pre-treatment. Alternate finishes and transparent color over bonded chrome finish available. Consult factory.
- APPLICATIONS** Open Office, Private Office, Conference Room, Lobby, Reception, Corridor, Educational Facility, Museum, Retail, Supermarket, Food Service.
- FAMILY OPTIONS**
- PENDANT** Direct, Indirect, Direct/Indirect, and Track.
Housing Size- 2" x 3", 4" x 4"
- RECESSED** Ceiling Track and Track.
Housing Size- 2" x 3", 4" x 4"
- WALL MOUNT** Direct, Indirect, Direct/Indirect, and Track.
Housing Size- 2" x 3", 4" x 4"

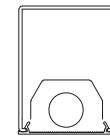
PRIME PRIME 23 DIRECT

P23-D

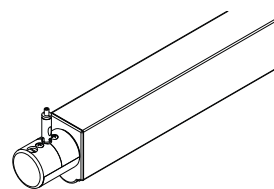
LAMP CONFIGURATIONS



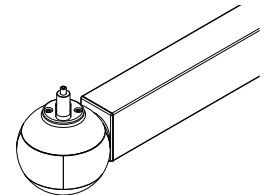
CROSS SECTION



I T5/ I T5HO



CYLINDER CONNECTOR



ORBIT CONNECTOR

P23-D PHOTO DISTRIBUTION

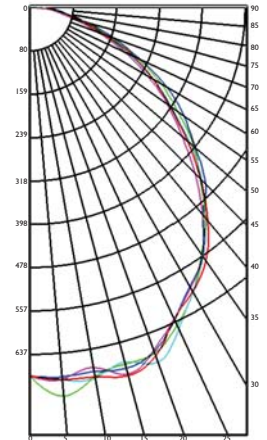
Candela Tabulation
P23-D-I-T5-RWB

Photometry based on standard

Total Luminaire Efficiency: 66.4%

Vertical Angle	Candlepower Distribution				
	Horizontal Angle				
0	676.30	676.30	45	675	90
5	680.60	716.53	685.85	685.94	685.16
10	678.62	688.51	691.03	688.53	670.79
15	686.01	678.06	674.00	700.12	697.08
20	671.49	675.00	693.03	680.04	668.78
25	633.72	644.28	651.39	632.29	631.32
30	591.79	603.82	603.67	602.39	594.67
35	557.45	554.62	558.93	568.06	556.80
40	497.92	504.97	505.90	512.29	497.25
45	460.16	445.40	449.95	447.44	432.76
50	400.23	396.34	387.73	380.73	368.54
55	349.11	335.69	319.29	316.67	311.25
60	292.72	279.74	262.60	261.41	250.12
65	223.70	215.12	197.79	208.16	191.36
70	165.38	155.53	148.52	144.90	132.23
75	110.81	106.51	104.34	96.35	84.13
80	68.15	70.08	68.50	64.63	53.43
85	37.42	44.00	51.28	41.11	28.91
90	20.83	26.03	32.19	19.76	5.64

Zone	Lumens	%Lamp	%Fixt
0-30	559	19.2	29.0
0-40	905	31.2	47.0
0-60	1540	53.1	80.0
0-90	1902	65.6	98.8
90-120	23	0.8	1.2
90-150	23	0.8	1.2
90-180	23	0.8	1.2
0-180	1925	66.4	100.0

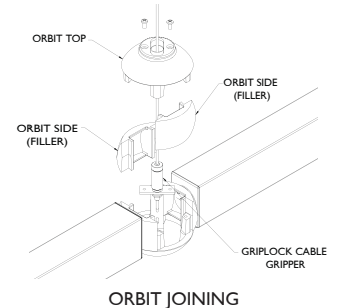
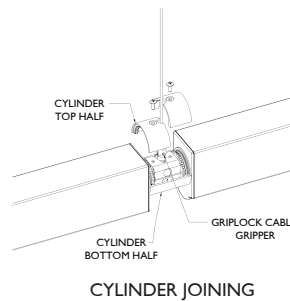
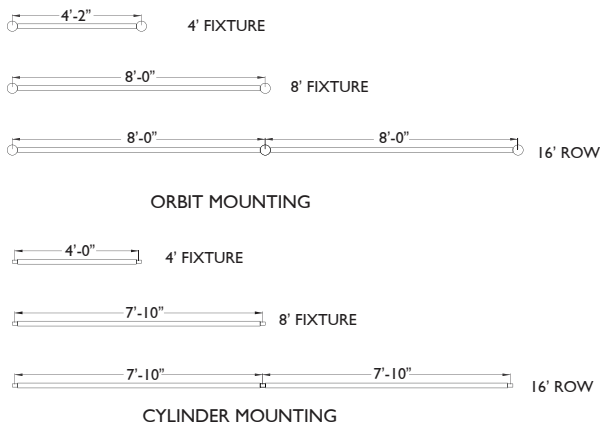


Coefficients of Utilization- Zonal Cavity Method

Effective Floor Cavity Reflectance- 0.20

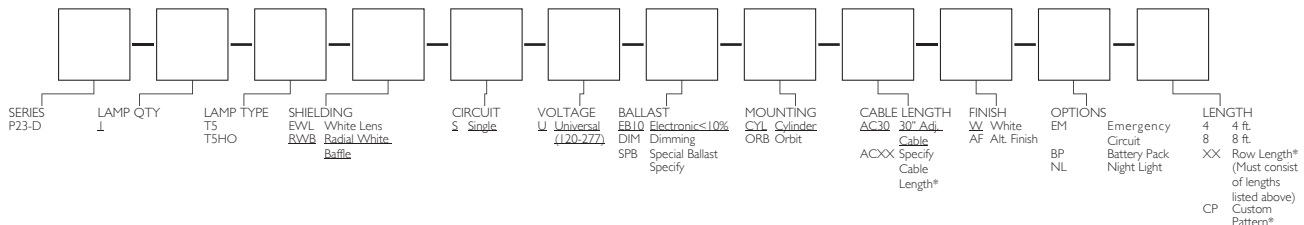
RC	80		70		50		30		10		0				
RW	70	50	30	10	70	50	30	10	50	30	10	50	30	10	0
0	79	79	79	79	77	77	77	77	73	73	73	70	70	70	66
1	72	69	66	64	70	68	65	63	65	62	61	62	60	59	56
2	66	61	56	52	64	59	55	52	57	53	50	54	52	49	47
3	60	53	48	44	59	52	47	43	50	46	43	48	45	42	40
4	55	47	42	37	54	47	41	37	45	40	36	43	39	36	34
5	51	43	37	32	49	42	36	32	40	35	32	39	35	31	30
6	47	38	33	28	46	38	32	28	36	32	28	35	31	28	26
7	44	35	29	25	42	34	29	25	33	28	25	32	28	24	23
8	41	32	26	22	40	31	26	22	30	26	22	30	25	22	21
9	38	29	24	20	37	29	24	20	28	23	20	27	23	20	19
10	36	27	22	18	35	27	22	18	26	21	18	25	21	18	17

P23-D MOUNTING



P23-D ORDERING KEY

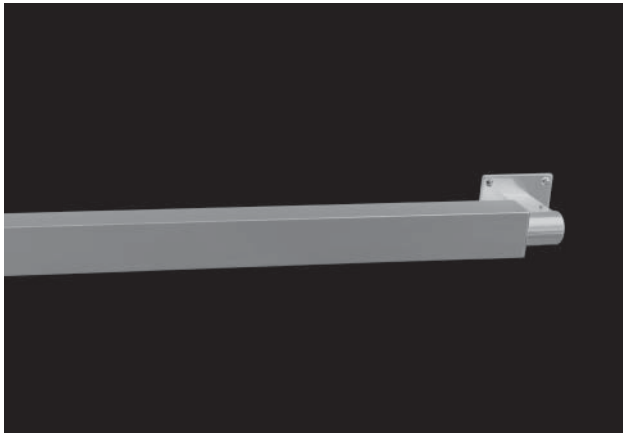
EXAMPLE P23-D-I-T5-RWB-S-U-EB10-CYL-AC30-W-4



*Consult Manufacturer
 Underline signifies standard configuration
 UL listed and IBEW-AFL made (product affixed with UL and IBEW labels)
 ICON International reserves the right to change specifications for product improvements without notification



P23-D-WM DESCRIPTION



Catalog #	Type
Project	
Comments	
Prepared by	Date

Prime family puts DESIGN back into your projects • Prime 23-D-WM is an innovative, small scale modular lighting system. • Designed around energy efficient T5 and T5HO lamps for maximum performance • CYLINDER WALL MOUNT™ is designed for linear applications giving you the additional ability to adjust the pitch of the fixture by 15° increments • Prime 23-D-WM is designed as a Universal mounting fixture, direct or indirect, to allow changes and reconfiguration in the field that are common in today's projects.

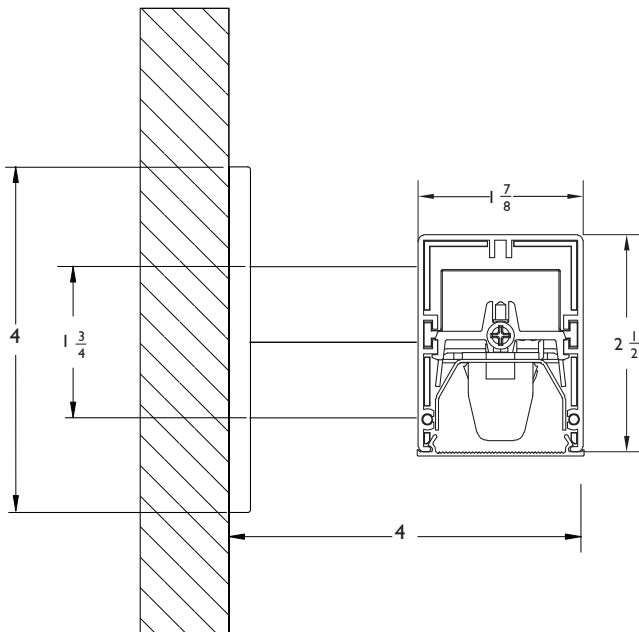
P23-D-WM SPECIFICATIONS

- CONSTRUCTION** 6063-T5 extruded aluminum housing. Connectors are die-cast aluminum.
- MOUNT** Wall arm is die-cast aluminum
- OPTICS** High performance white hybrid powder coat applied to an optimized reflector system. Extruded aluminum .075 thick snap in high reflectance white louver with integral clear lens tethered to housing. Additional lenses available.
- ELECTRICAL** Pre-wired with factory installed branch circuit wiring and over-molded quick connects. SJT white power cord capable of carrying two independent circuits. UL listed class "P" thermally protected universal voltage electronic ballast with less than 10% THD.

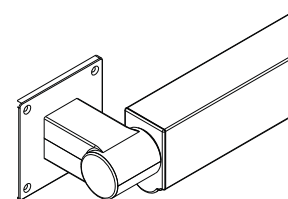
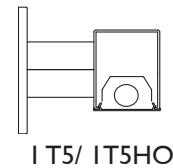
- FINISH** Standard housing finished in ICON White polyester powder coat applied over a 5-stage corrosion inhibiting pre-treatment. Alternate finishes and transparent color over bonded chrome finish available. Consult factory.
- APPLICATIONS** Open Office, Private Office, Conference Room, Lobby, Reception, Corridor, Educational Facility, Museum, Retail, Supermarket, Food Service.
- FAMILY OPTIONS**
- PENDANT** Direct, Indirect, Direct/Indirect, and Track.
Housing Size- 2" x 3", 4" x 4"
- RECESSED** Ceiling Track and Track.
Housing Size- 2" x 3", 4" x 4"
- WALL MOUNT** Direct, Indirect, Direct/Indirect, and Track.
Housing Size- 2" x 3", 4" x 4"

PRIME PRIME 23 DIRECT WM

P23-D-WM LAMP CONFIGURATIONS



CROSS SECTION



P23-D-WM END

P23-D-WM PHOTO DISTRIBUTION

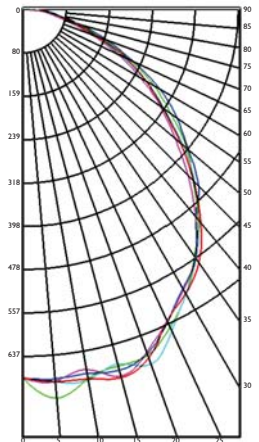
Candela Tabulation
P23-D-I-T5-RWB

Photometry based on standard

Total Luminaire Efficiency: 66.4%

Vertical Angle	Candlepower Distribution			
	Horizontal Angle			
	0	22.5	45	67.5
0	676.30	676.30	676.30	676.30
5	680.60	716.53	685.85	685.94
10	678.62	688.51	691.03	688.53
15	686.01	678.06	674.00	700.12
20	671.49	675.00	693.03	680.04
25	633.72	644.28	651.39	632.29
30	591.79	603.82	603.67	602.39
35	557.45	554.62	558.93	568.06
40	497.92	504.97	505.90	512.29
45	460.16	445.40	449.95	447.44
50	400.23	396.34	387.73	380.73
55	349.11	335.69	319.29	316.67
60	292.72	279.74	262.60	261.41
65	223.70	215.12	197.79	208.16
70	165.38	155.53	148.52	144.90
75	110.81	106.51	104.34	96.35
80	68.15	70.08	68.50	64.63
85	37.42	44.00	51.28	41.11
90	20.83	26.03	32.19	19.76

Zone	Lumens	%Lamp	%Fixt
0-30	559	19.2	29.0
0-40	905	31.2	47.0
0-60	1540	53.1	80.0
0-90	1902	65.6	98.8
90-120	23	0.8	1.2
90-150	23	0.8	1.2
90-180	23	0.8	1.2
0-180	1925	66.4	100.0

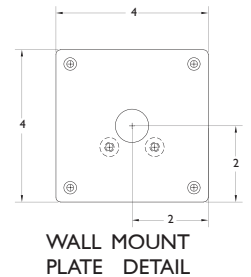
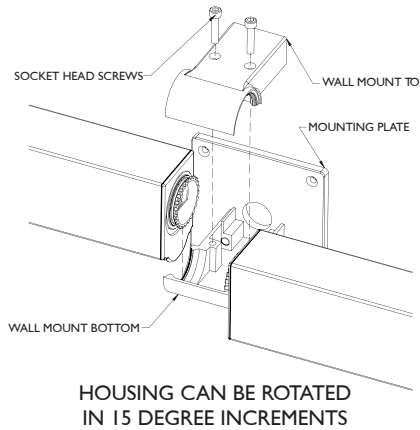
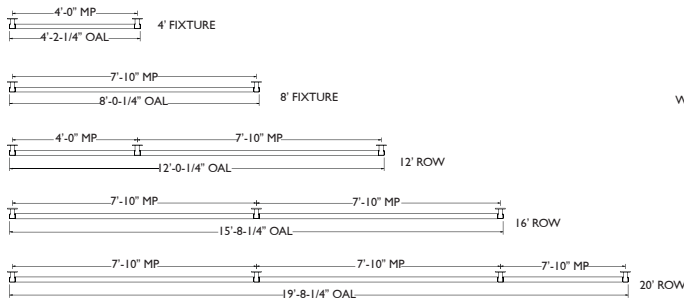


Coefficients of Utilization- Zonal Cavity Method

Effective Floor Cavity Reflectance- 0.20

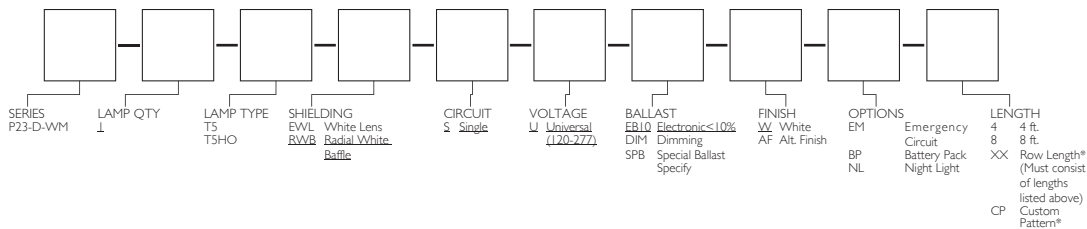
RC	80		70		50		30		10		0	
RW	70	50	30	10	70	50	30	10	50	30	10	0
0	79	79	79	79	77	77	77	77	73	73	73	66
1	72	69	66	64	70	68	65	63	65	62	61	56
2	66	61	56	52	64	59	55	52	57	53	50	46
3	60	53	48	44	59	52	47	43	50	46	43	39
4	55	47	42	37	54	47	41	37	45	40	36	34
5	51	43	37	32	49	42	36	32	40	35	32	29
6	47	38	33	28	46	38	32	28	36	32	28	26
7	44	35	29	25	42	34	29	25	33	28	24	23
8	41	32	26	22	40	31	26	22	30	25	22	21
9	38	29	24	20	37	29	24	20	28	23	20	19
10	36	27	22	18	35	27	22	18	26	21	18	17

P23-D-WM MOUNTING



P23-D-WM ORDERING KEY

EXAMPLE P23-D-WM-I-T5-RWB-S-U-EB10-W-4

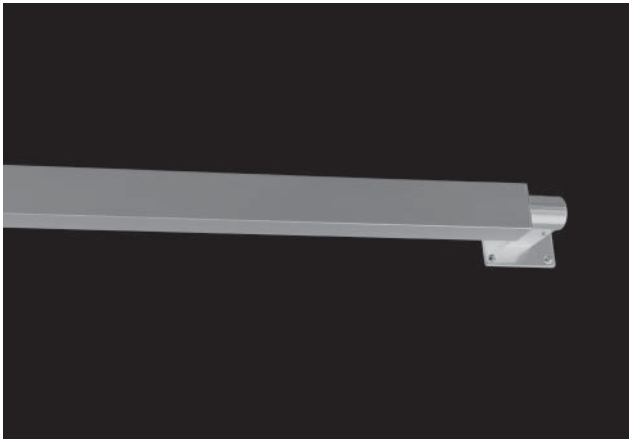


*Consult Manufacturer
 Underline signifies standard configuration
 UL listed and IBEW-AFL made (product affixed with UL and IBEW labels)
 ICON International reserves the right to change specifications for product improvements without notification



P23-I-WM

DESCRIPTION



Catalog #	Type
Project	
Comments	
Prepared by	Date

Prime family puts DESIGN back into your projects • Prime 23-I-WM is an innovative, small scale modular lighting system. • Designed around energy efficient T5 and T5HO lamps for maximum performance • CYLINDER WALL MOUNT™ is designed for linear applications giving you the additional ability to adjust the pitch of the fixture by 15° increments • Prime 23-I-WM is designed as a Universal mounting fixture, direct or indirect, to allow changes and reconfiguration in the field that are common in today's projects.

P23-I-WM

SPECIFICATIONS

- CONSTRUCTION** 6063-T5 extruded aluminum housing. Connectors are die-cast aluminum.
- MOUNT** Wall arm is die-cast aluminum with white finish
- OPTICS** High performance white hybrid powder coat applied to an optimized reflector system. Extruded aluminum .075 thick snap in high reflectance white louver with integral clear lens tethered to housing. Additional lenses available.
- ELECTRICAL** Pre-wired with factory installed branch circuit wiring and over-molded quick connects. SJT white power cord capable of carrying two independent circuits. UL listed class "P" thermally protected universal voltage electronic ballast with less than 10% THD.

FINISH Standard housing finished in ICON White polyester powder coat applied over a 5-stage corrosion inhibiting pre-treatment. Alternate finishes and transparent color over bonded chrome finish available. Consult factory.

APPLICATIONS Open Office, Private Office, Conference Room, Lobby, Reception, Corridor, Educational Facility, Museum, Restroom, Retail, Supermarket, Food Service.

FAMILY OPTIONS
PENDANT Direct, Indirect, Direct/Indirect, and Track.
Housing Size- 2" x 3", 4" x 4"

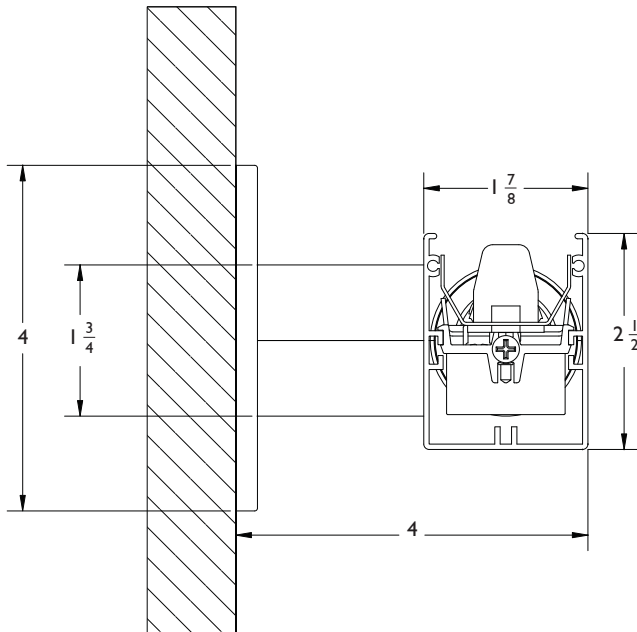
RECESSED Ceiling Track and Track.
Housing Size- 2" x 3", 4" x 4"

WALL MOUNT Direct, Indirect, Direct/Indirect, and Track.
Housing Size- 2" x 3", 4" x 4"

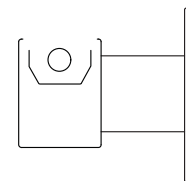
PRIME PRIME 23 INDIRECT WM

P23-I-WM

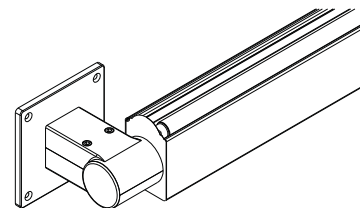
LAMP CONFIGURATIONS



CROSS SECTION



1 T5/ 1T5HO



P23-I-WM END

P23-I-WM PHOTO DISTRIBUTION

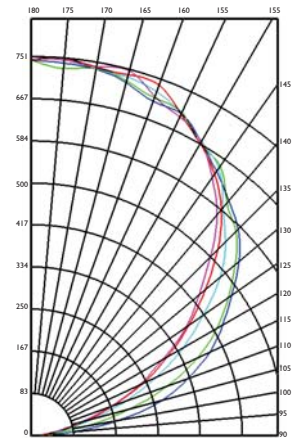
Candela Tabulation
P23-I-I-T5-N

Photometry based on standard

Total Luminaire Efficiency: 79.3%

Vertical Angle	Candlepower Distribution Horizontal Angle				
	0	22.5	45	67.5	90
90	17.50	8.07	5.60	4.34	3.96
95	77.40	42.55	25.44	28.05	29.25
100	177.01	114.99	67.83	55.42	55.01
105	264.80	200.47	126.47	110.11	101.07
110	328.79	284.12	196.72	170.34	166.12
115	389.66	362.49	270.82	242.51	234.10
120	437.18	424.26	346.34	308.59	297.72
125	483.33	475.72	415.33	380.87	373.61
130	536.20	526.62	487.49	449.72	433.58
135	578.60	572.01	542.64	522.01	502.10
140	607.35	601.89	590.12	584.82	571.54
145	639.09	651.62	646.61	632.02	623.71
150	671.65	668.10	672.74	668.32	672.34
155	703.06	705.38	702.99	701.23	695.75
160	703.83	711.40	724.89	738.52	714.17
165	723.48	727.24	734.69	739.90	747.82
170	736.97	738.75	736.84	740.46	742.09
175	740.45	729.63	750.57	750.16	746.48
180	744.29	744.29	744.29	744.29	744.29

Zonal Lumen Summary			
Zone	Lumens	%Lamp	%Fixt
0-30	0	0	0
0-40	0	0	0
0-60	0	0	0
0-90	0	0	0
90-120	501	17.3	21.8
90-150	1695	58.5	73.7
90-180	2299	79.3	100.0
0-180	2299	79.3	100.0

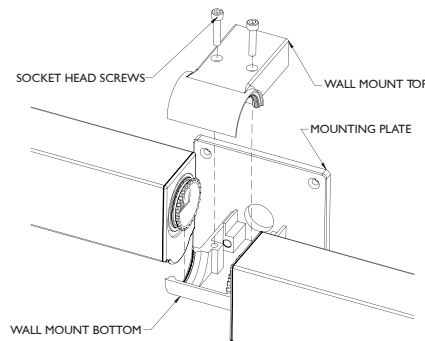
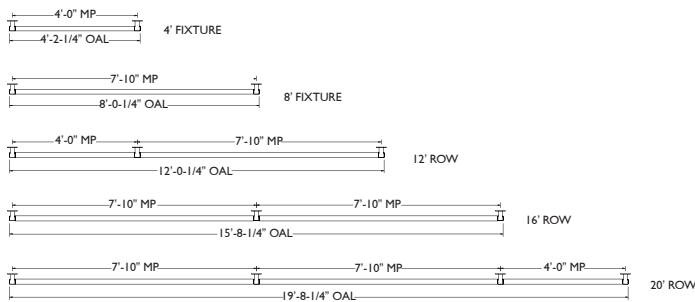


Coefficients of Utilization - Zonal Cavity Method

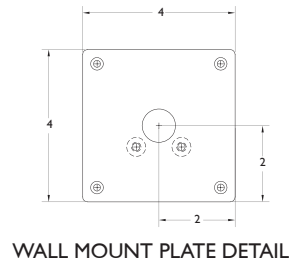
Effective Floor Cavity Reflectance: 0.20

RC	80	70	50	30	10	0
0	0.00	0.00	0.00	0.00	0.00	0.00
10	0.00	0.00	0.00	0.00	0.00	0.00
20	0.00	0.00	0.00	0.00	0.00	0.00
30	0.00	0.00	0.00	0.00	0.00	0.00
40	0.00	0.00	0.00	0.00	0.00	0.00
50	0.00	0.00	0.00	0.00	0.00	0.00
60	0.00	0.00	0.00	0.00	0.00	0.00
70	0.00	0.00	0.00	0.00	0.00	0.00
80	0.00	0.00	0.00	0.00	0.00	0.00
90	0.00	0.00	0.00	0.00	0.00	0.00
100	0.00	0.00	0.00	0.00	0.00	0.00
110	0.00	0.00	0.00	0.00	0.00	0.00
120	0.00	0.00	0.00	0.00	0.00	0.00
130	0.00	0.00	0.00	0.00	0.00	0.00
140	0.00	0.00	0.00	0.00	0.00	0.00
150	0.00	0.00	0.00	0.00	0.00	0.00
160	0.00	0.00	0.00	0.00	0.00	0.00
170	0.00	0.00	0.00	0.00	0.00	0.00
180	0.00	0.00	0.00	0.00	0.00	0.00

P23-I-WM MOUNTING

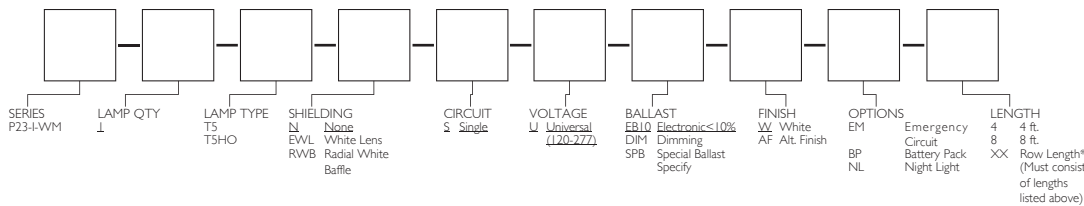


HOUSING CAN BE ROTATED IN 15 DEGREE INCREMENTS



P23-I-WM ORDERING KEY

EXAMPLE P23-I-WM-I-T5-S-U-EB10-W-4



*Consult Manufacturer
 Underline signifies standard configuration
 UL listed and IBEW-AFL made (product affixed with UL and IBEW labels)
 ICON International reserves the right to change specifications for product improvements without notification

