

ARIES 2120 DESCRIPTION



Catalog #	Type
Project	
Comments	
Prepared by	Date

The Aries 2120 is your answer to energy savings. It's breakthrough optics and use of the latest lamp and ballast technology provides specifiers with an energy efficient linear fixture.

The optical chamber is a specular parabolic shape producing essential down and vertical foot candles while reducing energy costs.

Moveable mounts along the length of the fixture allow for installation in new and remodeling projects.

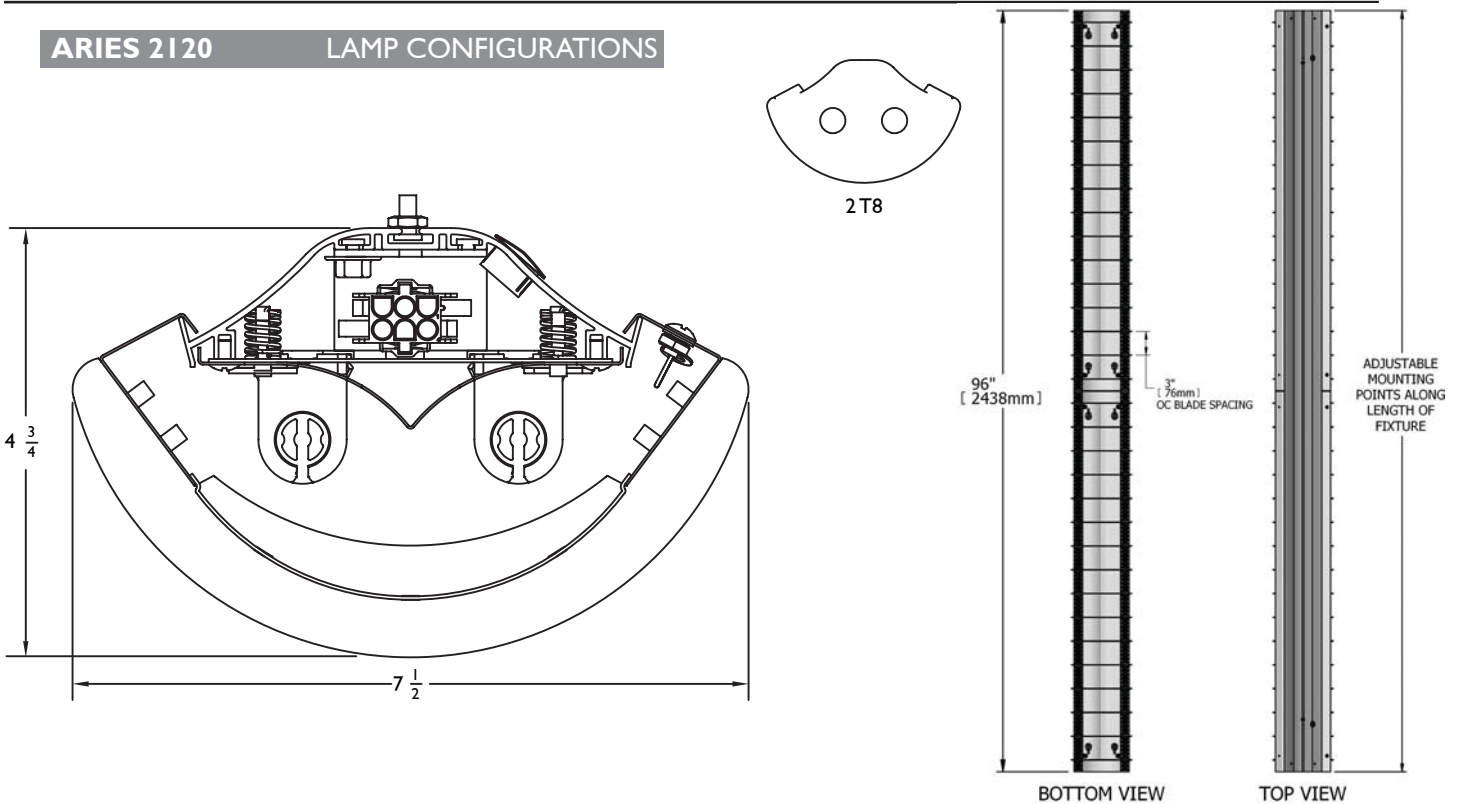
ARIES 2120 SPECIFICATIONS

- CONSTRUCTION** 6063-T5 extruded aluminum housing.
- MOUNT** Fully adjustable stainless steel aircraft cable kit attached to a long open slot located in the top spine of the fixture
- OPTICS** Parabolic formed specular aluminum reflector. White cross blade baffle with perforated side rails.
- ELECTRICAL** Pre-wired with factory installed branch circuit wiring and over-molded quick connects. Removable ballast tray. Quick access wire plate. UL listed class "P" thermally protected electronic ballast with less than 10% THD, STD I.18 ballast factor

- FINISH** Standard housing finished in ICON white powder coat applied over a 5-stage corrosion inhibiting pre-treatment. Alternate finishes available.
- APPLICATIONS** Retail, Grocery Stores, Educational Facility, Library, Open Office, Private Office, Reception Area, Conference Room, Lobby, Corridor, Medical Center, Museum
- OTHER** Energy saving options available (consult factory) Recommend use with High Performance (3100Lumen) T8 lamp

PENDANT ARIES 2120

ARIES 2120 LAMP CONFIGURATIONS



ARIES 2120 PHOTO DISTRIBUTION

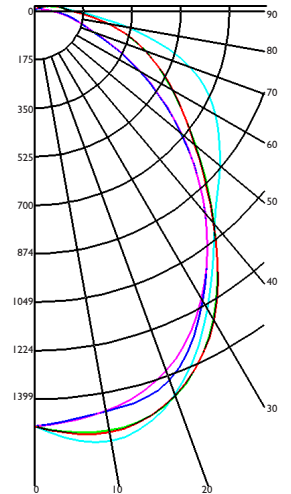
Candela Tabulation
AR-2120-DI-2-T8

Photometry based on standard

Total Luminaire Efficiency: 77.0%:

Vertical Angle	Candlepower Distribution				
	0	45	90	135	180
0	1498	1498	1498	1498	1498
10	1465	1536	1574	1542	1464
20	1416	1479	1473	1475	1382
30	1206	1283	1242	1287	1199
40	954	1004	1005	1000	954
50	689	756	869	752	691
60	437	571	749	575	441
70	231	427	598	425	234
80	132	271	343	272	127
90	64	137	146	136	64
100	33	84	94	90	32
110	25	51	52	53	24
120	19	33	24	31	20
130	15	20	11	18	16
140	12	10	3	10	11
150	8	5	1	6	7
160	4	1	0	3	4
170	1	0	0	0	1
180	0	0	0	0	0

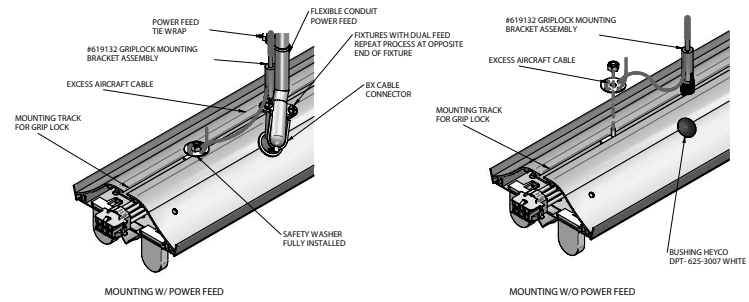
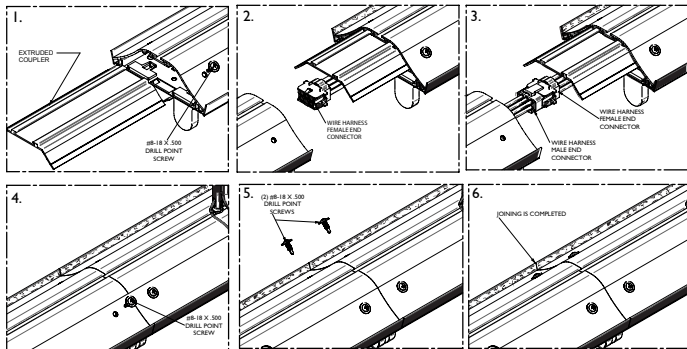
Zone	Lumens	%Lamp	%Fxt
0-30	1215	21.0	27.2
0-40	1907	32.9	42.7
0-60	3177	54.8	71.1
0-90	4226	72.9	94.6
90-120	206	3.6	4.6
90-150	240	4.1	5.4
90-180	242	4.2	5.4
0-180	4468	77.0	100.0



Coefficients of Utilization- Zonal Cavity Method
Effective Floor Cavity Reflectance 0.20

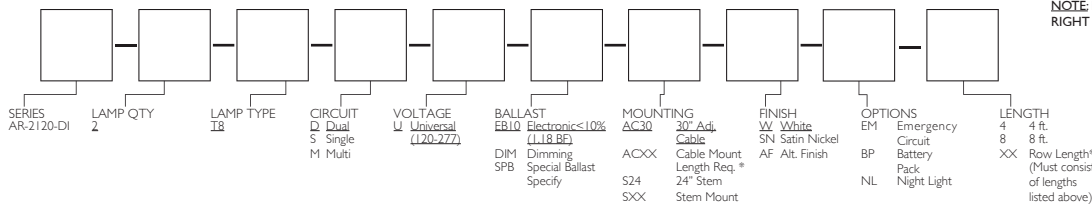
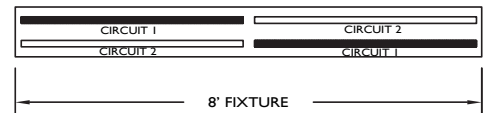
RC	80			70			50			30			10			0				
RW	70	50	30	10	70	50	30	10	50	30	10	50	30	10	50	30	10	0	0	0
0	91	91	91	91	89	89	89	89	84	84	84	79	79	79	75	75	75	73	73	73
1	82	78	75	71	80	76	73	70	72	69	67	68	66	64	61	61	61	59	59	59
2	75	68	62	58	72	66	61	57	63	58	55	59	56	53	50	50	50	49	49	49
3	68	60	53	48	66	58	52	47	55	50	46	52	48	45	42	42	42	41	41	41
4	62	53	46	41	60	52	45	40	49	44	39	47	42	38	36	36	36	35	35	35
5	57	47	40	35	55	46	40	35	44	38	34	42	37	33	31	31	31	31	31	31
6	53	43	36	31	51	42	35	30	40	34	30	38	33	29	27	27	27	27	27	27
7	49	39	32	27	48	38	32	27	36	31	27	35	30	26	24	24	24	24	24	24
8	46	35	29	24	44	35	29	24	33	28	24	32	27	23	22	22	22	21	21	21
9	43	33	26	22	42	32	26	22	31	25	21	30	25	21	20	20	20	19	19	19
10	40	30	24	20	39	30	24	20	29	23	20	28	23	19	18	18	18	18	18	18

ARIES 2120 MOUNTING



ARIES 2120 ORDERING KEY

EXAMPLE AR-2120-DI-2-T8-S-U-EB10-AC30-SN-4



*Consult Manufacturer
Underline signifies standard configuration
UL listed and IBEW-AFL made (product affixed with UL and IBEW labels)
ICON International reserves the right to change specifications for product improvements without notification

