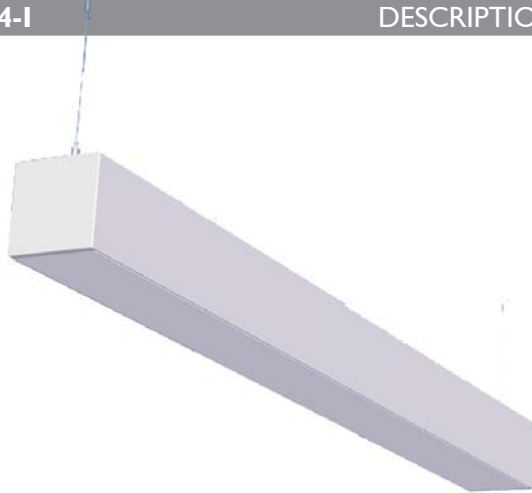


**P44-I DESCRIPTION**



Catalog #	Type
Project	
Comments	
Prepared by	Date

Prime family puts DESIGN back into your projects • Prime 44-I is the next evolutionary step in classic fixture design. It utilizes the latest technological advances in lamp, ballast and optic improvements. ICON also is breaking new ground by re-engineering mounting and joining details to help projects • Prime 44-I is designed around energy efficient T5, T5HO and T8 lamps for maximum performance • Movable Mounts allow the fixture to be installed in new and remodeling projects where you need it • Modular gear tray allows for different lamp configurations and field modifications • LED, Track and fluorescent can be combined in the same housing for maximum flexibility

**P44-I SPECIFICATIONS**

**CONSTRUCTION** 6063-T5 extruded aluminum housing. Revolutionary die-cast aluminum

**MOUNT** Fully adjustable stainless steel aircraft cable kit attached to a longitudinally adjustable die-formed steel yoke mount.

**OPTICS** High performance white hybrid powder coat applied to an optically optimized reflector system. Open (standard) or clear lens.

**ELECTRICAL** Pre-wired with factory installed branch circuit wiring and over-molded quick connects. SJT white power cord capable of carrying two independent circuits. UL listed class "P" thermally protected universal voltage electronic ballast with less than 10% THD.

**FINISH** Standard housing finished in ICON Yoke White polyester powder coat applied over a 5-stage corrosion inhibiting pre-treatment. Alternate finishes and transparent color over bonded chrome finish available. Consult factory.

**APPLICATIONS** Open and Private Office, Conference, Lobby, Reception, Corridor, Educational Facility, Library, Museum, Retail, Supermarket, Food Service.

**FAMILY OPTIONS**

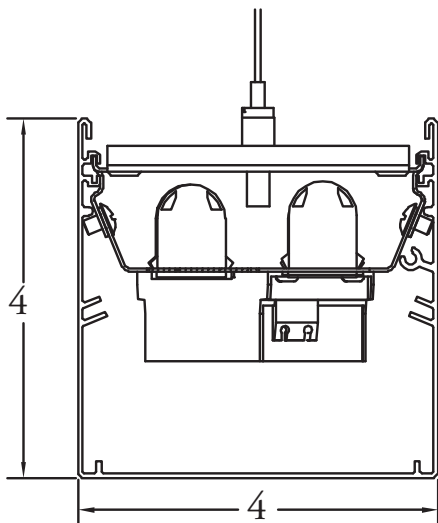
**PENDANT** Direct, Indirect, Direct/Indirect, Track, Pass-Through, and Asymmetrical. **Housing Size-** 2'x 3", 2'x 6", 4'x 4".

**RECESSED** Ceiling, Track, and Asymmetrical. **Housing Size-** 2'x 3", 4" X 4".

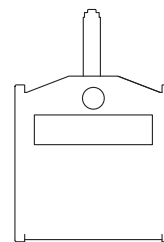
**WALL MOUNT** Direct, Indirect, Direct/Indirect, Track, Pass-Through, and Asymmetrical. **Housing Size-** 2'x 3", 2'x 6", 4'x 4"

PRIME PRIME 44 INDIRECT

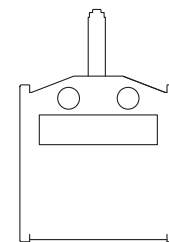
**P44-I LAMP CONFIGURATIONS**



CROSS SECTION



1 T5HO



2 T5HO

**P44-I PHOTO DISTRIBUTION**

**Candela Tabulation**

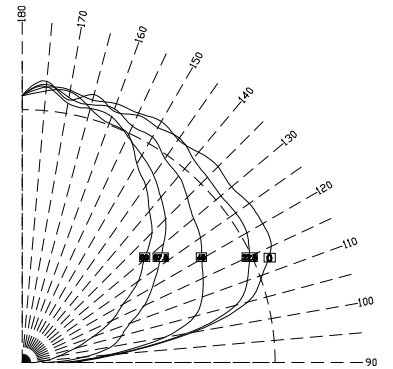
Total Luminaire Efficiency: 48.2%

P44-I-T5-N

VERTICAL ANGLE	CANDLEPOWER DISTRIBUTION				
	HORIZONTAL ANGLE 0		HORIZONTAL ANGLE 90		
	22.5	45	67.5	90	
90	0.0	22.5	45.0	67.5	90.0
95	109.6	104.7	85.2	51.9	20.8
100	223.9	211.7	198.5	142.7	57.9
105	400.2	389.9	336.1	210.5	86.4
110	547.8	519.6	420.0	242.1	126.3
115	600.9	564.1	451.0	269.2	176.8
120	646.5	590.4	470.3	316.8	231.2
125	654.0	610.3	488.0	353.5	274.4
130	653.0	614.3	512.9	391.1	333.7
135	643.6	610.7	526.8	434.7	375.0
140	651.9	616.9	549.6	478.0	432.0
145	646.3	627.0	573.7	507.7	465.8
150	641.0	645.5	586.3	539.6	508.2
155	655.8	639.5	613.2	563.7	539.7
160	647.8	642.7	614.2	587.8	592.4
165	648.4	630.4	636.0	616.0	599.0
170	640.2	653.7	628.1	619.2	620.3
175	651.1	627.6	633.9	620.1	648.2
180	650.9	664.8	657.9	652.2	642.1
180	628.5	628.5	628.5	628.5	628.5

**Zonal Lumens**

Zone	Lumens	%Lamp	%Fixt
0-30	0	0	0
0-40	0	0	0
0-60	0	0	0
0-90	0	0	0
90-120	1032.56	17.8	36.9
90-130	1482.02	25.6	53
90-150	2271.19	39.2	81.2
90-180	2796.18	48.2	100
0-180	2796.18	48.2	100

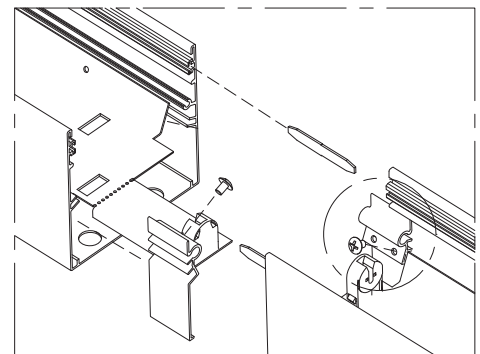
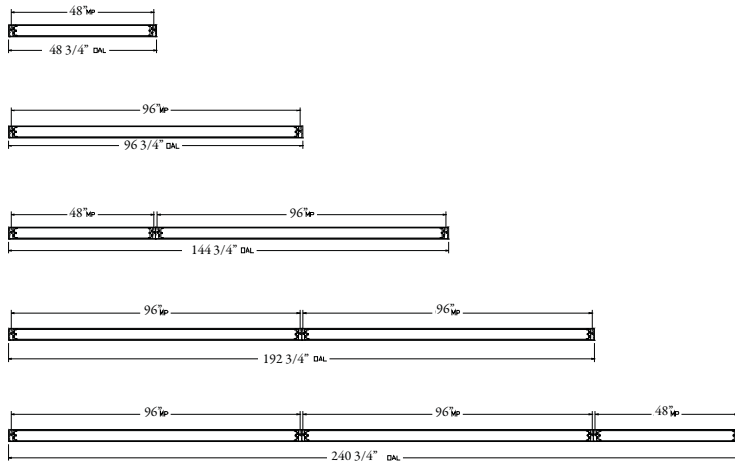


**Coefficients of Utilization- Zonal Cavity Method**

Effective Floor Cavity Reflectance 0.20

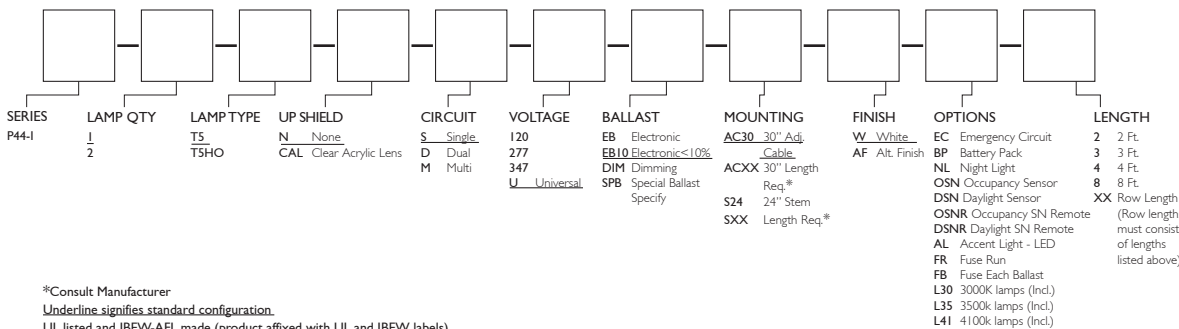
RC	70				50				30				10				0	
	RV	70	50	30	10	70	50	30	10	50	30	10	50	30	10			
0	46	46	46	46	39	39	39	39	27	27	27	15	15	15	5	5	5	0
1	42	40	38	37	36	34	33	31	23	22	22	13	13	13	4	4	4	0
2	38	35	32	30	32	30	28	26	20	19	18	12	11	11	4	4	3	0
3	35	30	27	25	29	26	23	21	18	16	15	10	10	9	3	3	3	0
4	32	27	23	21	27	23	20	18	16	14	13	9	8	7	3	3	2	0
5	29	24	20	18	25	20	17	15	14	12	11	8	7	6	3	2	2	0
6	26	21	18	15	22	18	15	13	13	11	9	7	6	6	2	2	2	0
7	24	19	15	13	21	16	13	11	11	9	8	7	6	5	2	2	2	0
8	22	17	14	11	19	15	12	10	10	8	7	6	5	4	2	2	1	0
9	21	15	12	10	18	13	10	9	9	7	6	5	4	4	2	1	1	0
10	19	14	11	9	16	12	9	8	8	7	5	5	4	3	2	1	1	0

**P44-I MOUNTING**



**P44-I ORDERING KEY**

EXAMPLE P44-I-I-T5-N-S-U-EB10-AC30-W-4



\*Consult Manufacturer  
 Underline signifies standard configuration.  
 UL listed and IBEW-AFL made (product affixed with UL and IBEW labels)  
 ICON International reserves the right to change specifications for product improvements without notification

