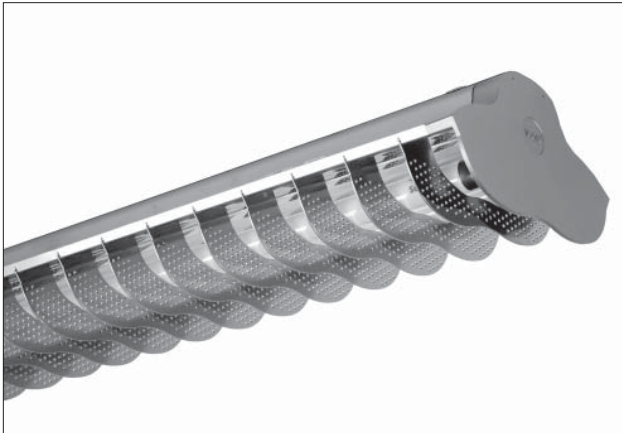


AR-DI DESCRIPTION



Catalog #	Type
Project	
Comments	
Prepared by	Date

Aries is your answer to energy savings. Its breakthrough optics and use of the latest lamp and ballast technology provide specifiers with an energy efficient linear fixture.

- Optical chamber is a specular parabolic shape producing essential down and vertical foot candles while reducing energy use and cost.
- Energy efficient 1.18 ballast standard.
- Built around 3100 lumen T8 lamps.
- Industry first INTERLOCK™ joiner system significantly reduces installation time and cost.
- Movable mounts along the length of the fixture allow it to be installed in new and remodeling projects where it's needed.

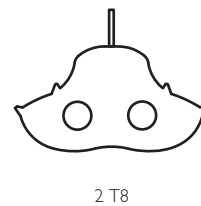
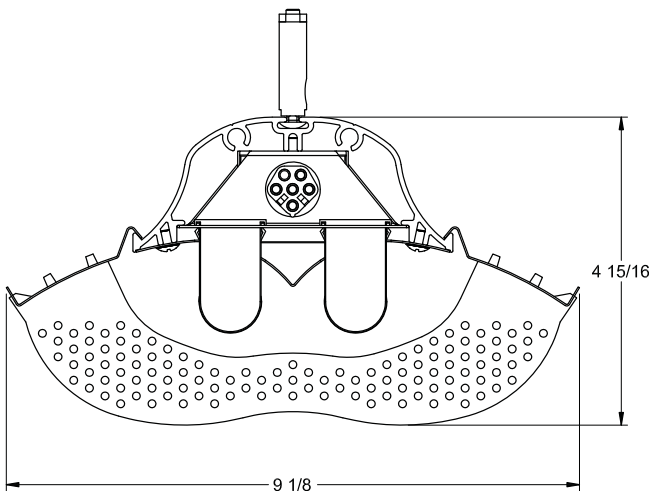
AR-DI SPECIFICATIONS

- CONSTRUCTION** 6063-T5 extruded aluminum housing. Revolutionary die-cast aluminum INTERLOCK™ joining system.
- MOUNT** Fully adjustable stainless steel aircraft cable kit attached to a longitudinally open slot located in the top spine of the fixture.
- OPTICS** Parabolic formed specular aluminum reflector. Satin Nickel perforated cross blade baffle.
- ELECTRICAL** Pre-wired with factory installed branch circuit wiring and over-molded quick connects. SJT white power cord capable of carrying two independent circuits. UL listed class "P" thermally protected universal voltage electronic ballast with less than 10% THD.

- FINISH** Standard housing finished in ICON Satin Nickel applied over a 5-stage corrosion inhibiting pretreatment. Alternate finishes available. Consult factory.
- APPLICATIONS** Educational Facility, Library, Open and Private Office, Conference, Lobby, Reception, Corridor, Museum, Retail, Supermarket.

LINEAR ARIES

AR-DI LAMP CONFIGURATIONS



CROSS SECTION

AR-DI PHOTO DISTRIBUTION

Candela Tabulation

BALL TEST #12740.0
AR-DI-2-T8ADV-WPB-S

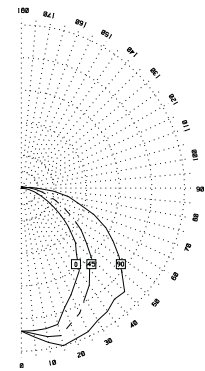
VERTICAL ANGLE	CANDLEPOWER DISTRIBUTION				
	HORIZONTAL ANGLE		HORIZONTAL ANGLE		
0	0	225	45	67.5	90
5	1611	1611	1611	1611	1611
10	1612	1619	1648	1673	1683
15	1607	1643	1700	1742	1765
20	1589	1651	1722	1799	1838
25	1431	1516	1626	1739	1804
30	1326	1417	1556	1696	1784
35	1221	1291	1432	1607	1721
40	1139	1204	1335	1546	1694
45	968	1043	1197	1452	1632
50	864	915	1120	1419	1650
55	706	739	955	1259	1480
60	561	595	822	1122	1346
65	418	457	671	969	1197
70	231	266	413	708	874
75	151	188	314	559	671
80	86	122	226	453	541
85	37	71	160	334	363
90	0	39	104	213	188
95	0	17	70	141	104
100	0	12	53	83	20
105	0	9	44	63	13
110	1	8	33	41	12
115	1	6	24	26	6
120	4	4	19	20	6
125	8	8	16	17	9
130	5	9	12	13	9
135	8	12	15	15	12
140	12	12	13	15	12
145	13	15	15	15	15
150	13	13	16	16	15
155	16	16	17	17	16
160	15	15	15	16	15
165	16	16	16	16	16
170	16	17	17	17	16
175	16	16	16	16	15
180	14	14	14	14	14

IES SPACING CRITERIA: END = 1.14 DIAGONAL = 1.42 CROSS = 1.58

Total Luminaire Efficiency: 84.7%

Zonal Lumens

Zone	Lumens	%Lamp	%Fixt
0-30	1350.73	21.8	25.7
0-40	2204.51	35.6	42
0-60	3875.47	62.5	73.8
0-90	5079.1	81.9	96.8
90-120	128.18	2.1	2.4
90-130	138.73	2.2	2.6
90-150	157.22	2.5	3
90-180	170.53	2.8	3.2
0-180	5249.63	84.7	100

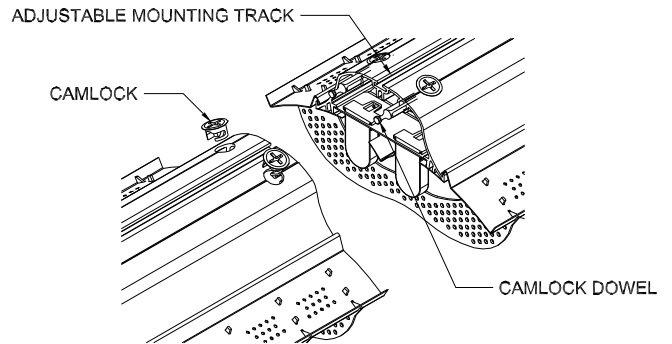
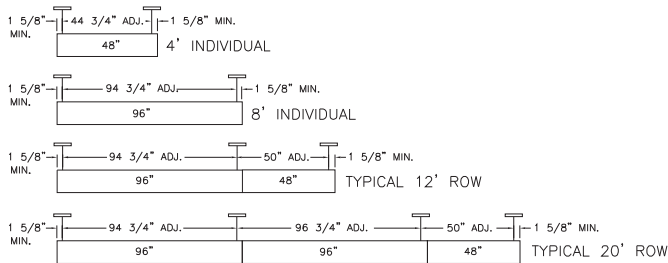


Coefficients of Utilization- Zonal Cavity Method

Effective Floor Cavity Reflectance 0.20

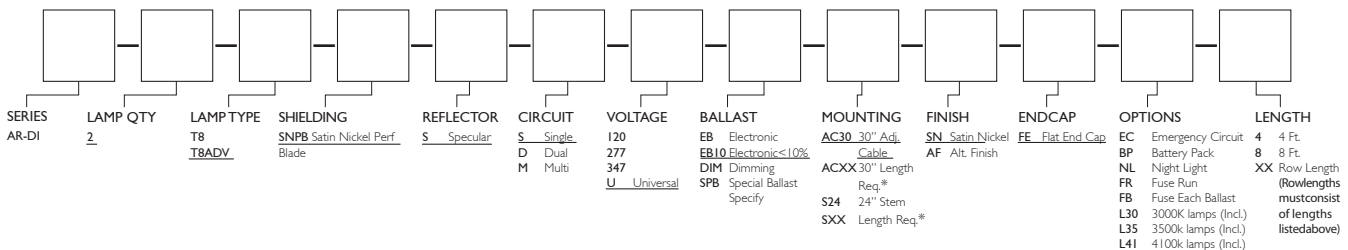
RC	RV	50			70			50			30			10			0	
		70	50	30	10	70	50	30	10	50	30	10	50	30	10			
0	100	100	100	100	97	97	97	97	93	93	93	88	88	88	84	84	84	82
1	91	86	82	79	88	84	80	77	80	77	74	76	74	72	73	71	69	67
2	82	75	69	64	80	73	68	63	70	65	61	66	63	59	63	60	57	55
3	75	66	59	53	73	64	58	52	61	56	51	58	54	50	56	52	48	46
4	69	58	51	45	66	57	50	44	54	48	43	52	47	42	50	45	42	40
5	63	52	44	38	61	51	44	38	49	42	37	47	41	37	45	40	36	34
6	58	47	39	34	56	46	39	33	44	38	33	42	37	32	41	36	32	30
7	54	42	35	30	52	42	34	29	40	34	29	39	33	29	37	32	28	26
8	50	39	31	26	49	38	31	26	37	30	26	35	30	26	34	29	25	24
9	47	35	28	24	46	35	28	24	34	28	23	33	27	23	31	26	23	21
10	44	33	26	21	43	32	26	21	31	25	21	30	25	21	29	24	21	19

AR-DI MOUNTING



AR-DI ORDERING KEY

EXAMPLE AR-DI-2-T8ADV-SNPB-S-S-U-EB10-AC30-SN-FE-4



*Consult Manufacturer
 Underline signifies standard configuration.
 UL listed and IBEW-AFL made (product affixed with UL and IBEW labels)
 ICON International reserves the right to change specifications for product improvements without notification