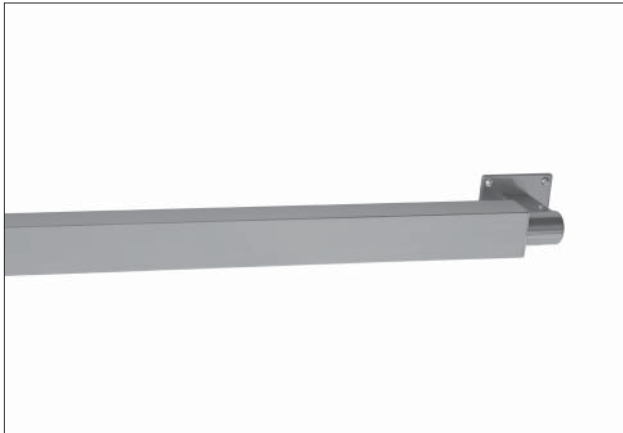


P23-D-WM DESCRIPTION



Catalog #	Type
Project	
Comments	
Prepared by	Date

Prime family puts DESIGN back into your projects • Prime 23-D-WM is an innovative, small scale modular lighting system • Designed around energy efficient T5 and T5HO lamps for maximum performance • CYLINDER WALL MOUNT™ is designed for linear applications giving you the additional ability to adjust the pitch of the fixture by 15° increments • Prime 23-D-WM is designed as a Universal mounting fixture, direct or indirect, to allow changes and reconfiguration in the field that are common in today's projects

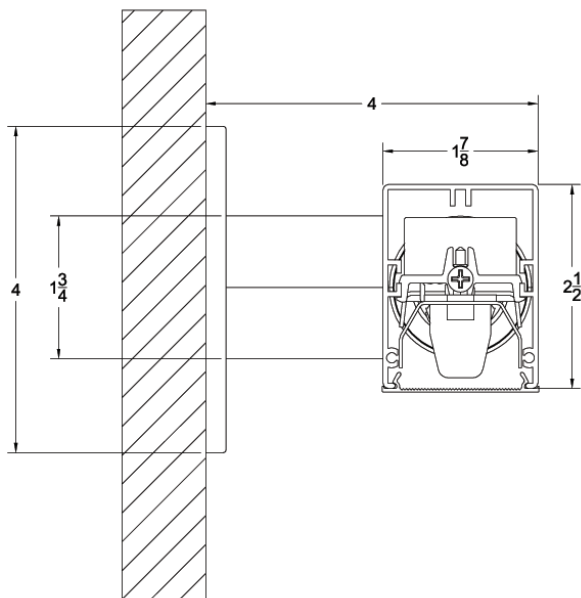
P23-D-WM SPECIFICATIONS

CONSTRUCTION	6063-T5 extruded aluminum housing. Connectors are die-cast aluminum.
MOUNT	Wall arm is die-cast aluminum.
OPTICS	High performance white hybrid powder coat applied to an optically optimized reflector system. Extruded aluminum .075 thick snap in high-reflectance white louver with integral clear lens tethered to housing. Additional lenses available. Optional asymmetrical reflector is finished with high performance white powder coat applied to an optically optimized reflector system.
ELECTRICAL	Pre-wired with factory installed branch circuit wiring and over-molded quick connects. UL listed class "P" thermally protected universal voltage electronic ballast with less than 10% THD

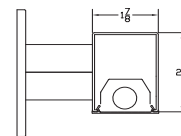
FINISH	Standard housing finished in ICON White polyester powder coat applied over a 5-stage corrosion inhibiting pre-treatment.
APPLICATIONS	Open and Private Office, Conference, Lobby, Reception, Corridor, Educational Facility, Library, Museum, Restroom, Retail, Supermarket, Food Service.
FAMILY OPTIONS	
PENDANT	Direct, Indirect, Direct/Indirect, Track, Pass-Through, and Asymmetrical. Housing Size- 2'x 3", 2'x 6", 4'x 4"
RECESSED	Ceiling, Track, and Asymmetrical. Housing Size- 2'x 3", 4'x 4"
WALL MOUNT	Direct, Indirect, Direct/Indirect, Track, Pass-Through, and Asymmetrical. Housing Size- 2'x 3", 2'x 6", 4'x 4"

PRIME PRIME 23 DIRECT WM

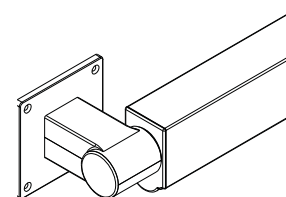
P23-D-WM LAMP CONFIGURATIONS



CROSS SECTION



1 T5/ 1T5HO



P23-D-WM END

P23-D-WM PHOTO DISTRIBUTION

Candela Tabulation

P23-D-WM-I-TSHO-RWB

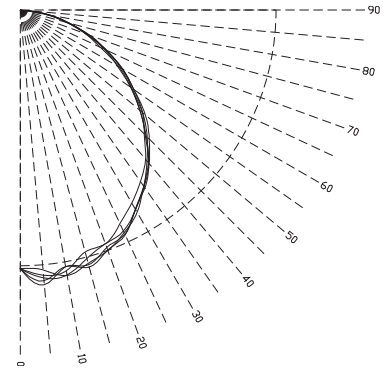
VERTICAL ANGLE	CANDLEPOWER DISTRIBUTION				
	HORIZONTAL ANGLE 0		HORIZONTAL ANGLE 90		
	0	22.5	45	67.5	90
0	0.0	22.5	45.0	67.5	90.0
5	1091.3	1091.3	1091.3	1091.3	1091.3
10	1123.2	1135.2	1164.7	1100.4	1148.0
15	1118.4	1136.8	1101.3	1138.6	1099.8
20	1057.8	1086.7	1113.5	1108.2	1124.2
25	1051.0	1051.4	1067.6	1082.0	1079.9
30	997.0	1030.8	1045.1	1038.2	1049.4
35	942.6	974.9	974.3	988.7	973.2
40	886.4	912.7	918.6	911.6	910.6
45	825.3	849.2	846.8	844.1	835.7
50	744.1	773.4	750.1	757.0	760.7
55	677.6	693.7	665.5	664.3	676.8
60	590.1	591.9	573.3	575.1	579.9
65	507.8	500.5	489.0	480.9	504.4
70	410.2	407.0	381.9	399.9	408.8
75	323.3	306.3	304.6	315.1	318.8
80	222.9	214.7	227.8	229.6	222.7
85	140.6	139.6	148.6	152.3	155.4
90	56.0	73.4	81.0	74.2	74.5
	15.8	30.0	30.6	25.5	17.1

IES SPACING CRITERIA: END = 1.28 DIAGONAL = 1.40 CROSS = 1.32
LUMINAIRE EFFICIENCY = 65.9%

Total Luminaire Efficiency: 65.9%

Zonal Lumens

Zone	Lumens	%Lamp	%Fxt
0-30	892.1	17.8	27.1
0-40	1462.05	29.2	44.4
0-60	2569.88	51.4	78
0-90	3293.5	65.9	100
90-120	0	0	0
90-130	0	0	0
90-150	0	0	0
90-180	0	0	0
0-180	3293.5	65.9	100

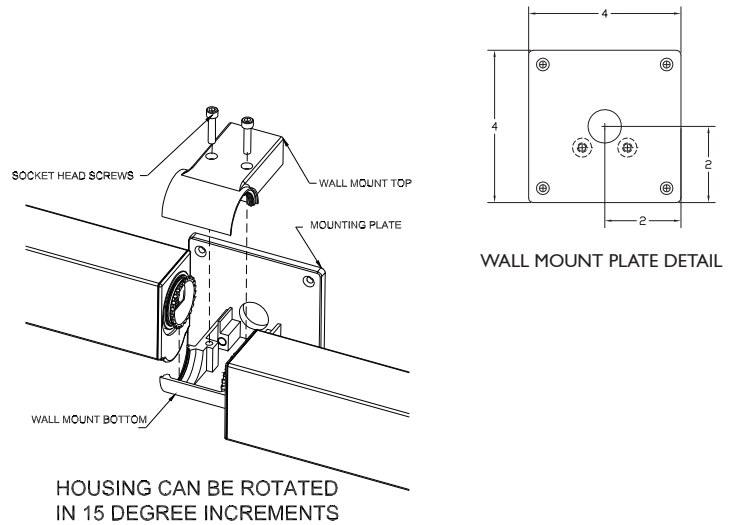
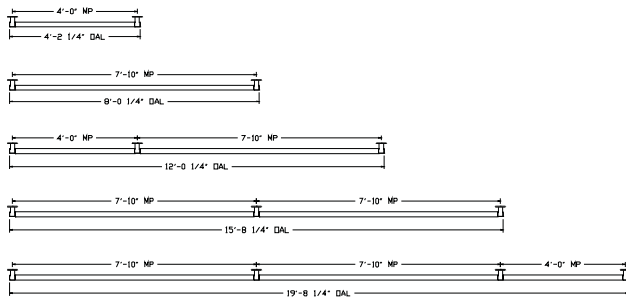


Coefficients of Utilization- Zonal Cavity Method

Effective Floor Cavity Reflectance 0.20

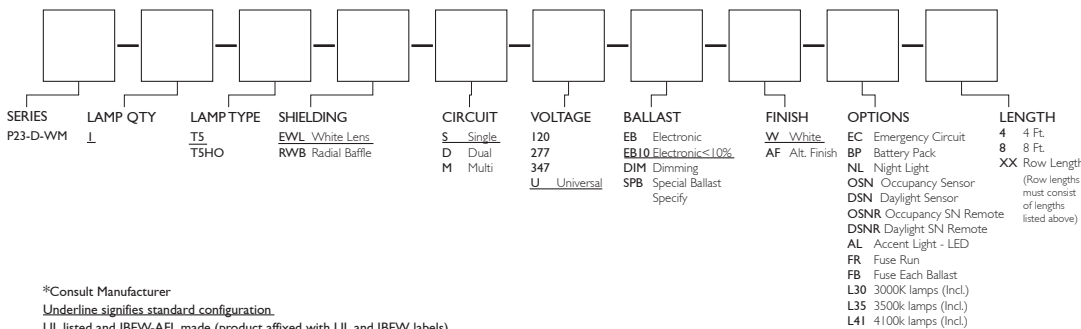
RC RfV	70				50				30				10				0					
	70	50	30	10	70	50	30	10	50	30	10	70	50	30	10	50	30	10	70	50	30	10
0	78	78	78	78	77	77	77	77	73	73	73	70	70	70	67	67	67	66				
1	71	68	65	63	70	67	64	62	64	62	60	61	59	58	59	57	56	55				
2	65	59	55	51	63	58	54	50	56	52	49	54	51	48	51	49	47	45				
3	59	52	47	42	57	51	46	42	49	45	41	47	43	40	45	42	40	38				
4	54	46	40	36	53	45	40	35	44	39	35	42	38	34	41	37	34	33				
5	50	41	35	31	48	40	35	31	39	34	30	38	33	30	36	33	30	28				
6	46	37	31	27	45	36	31	27	35	30	26	34	30	26	33	29	26	25				
7	43	34	28	24	41	33	27	24	32	27	23	31	27	23	30	26	23	22				
8	40	31	25	21	39	30	25	21	29	24	21	28	24	21	28	24	21	19				
9	37	28	23	19	36	28	22	19	27	22	19	26	22	19	26	22	19	17				
10	35	26	21	17	34	26	21	17	25	20	17	24	20	17	24	20	17	16				

P23-D-WM MOUNTING



P23-D-WM ORDERING KEY

EXAMPLE P23-D-WM-I-T5-EWL-S-U-EB10-W-4



*Consult Manufacturer
 Underline signifies standard configuration.
 UL listed and IBEW-AFL made (product affixed with UL and IBEW labels)
 ICON International reserves the right to change specifications for product improvements without notification

