

**OR-DI DESCRIPTION**



Catalog #	Type
Project	
Comments	
Prepared by	Date

Orion direct/indirect lighting system uses energy efficient T8, T5, T5HO

- Affordable, high performance steel luminaire
- Housings are precisely manufactured to produce straight rows when joining sections
- Pre-wired branch circuitry with molded quick connects for quick installation
- T-bar mount uni-clip support brackets furnished as standard for simplifying and reducing overall cost of installation
- Environmentally friendly fixture is designed to be recycled or reconfigured
- Energy saving options available (consult factory)

**OR-DI SPECIFICATIONS**

**CONSTRUCTION** 20 gauge cold rolled steel direct/indirect housing. Fully adjustable 30" aircraft cable supports.

**OPTICS** High performance white hybrid powder coat applied to an optically optimized reflector system. Optional specular reflector precisely designed optics to achieve maximum performance.

**ELECTRICAL** Pre-wired with factory installed branch circuit wiring and over molded quick connects. 5-wire SJT power cord at feed location capable of carrying two independent circuits. UL listed class "P" thermally protected electronic ballast.

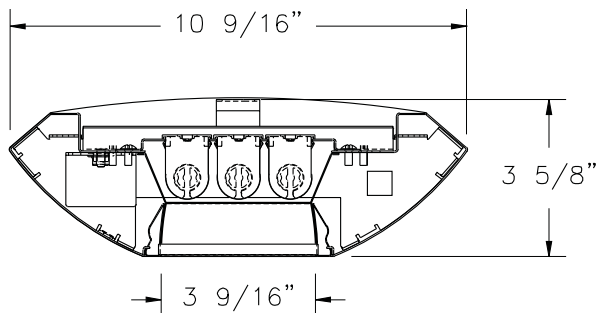
**FINISH** Standard housing finished in ICON White polyester powder coat applied over a 5-stage corrosion inhibiting pretreatment. Transparent color over bonded chrome finish available. Alternate finishes available.

**APPLICATIONS** Retail, Grocery Stores, Educational Facility, Library, Open Office, Private Office, Reception Area, Conference Room, Lobby, Corridor, Convention Center, Hospitality, Cafeteria, Medical Center, House Of Worship, Rest Room.

**OTHER** T-bar mount uni-clip support brackets furnished as standard for simplifying and reducing overall cost of installation. Energy saving options available (consult factory) Companion fixtures include solid, perforated and wall mount housings.

LINEAR ORION DIRECT/INDIRECT

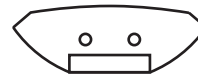
**OR-DI LAMP CONFIGURATIONS**



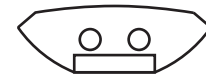
1 T5HO



1 T8



2 T5HO



2 T8



3 T5HO



3 T8

CROSS SECTION

**OR-DI PHOTO DISTRIBUTION**

**Candela Tabulation**

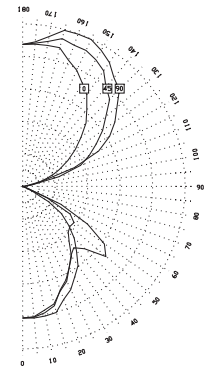
BALL TEST #10817.0  
OR-DI-2-T8-PL-W

VERTICAL ANGLE	CANDLEPOWER DISTRIBUTION				
	HORIZONTAL ANGLE				
0	0	22.5	45	67.5	90
5	833	833	833	833	833
10	835	833	830	827	827
15	833	828	812	798	795
20	826	813	781	770	770
25	760	733	697	696	701
30	721	684	652	660	663
35	660	611	591	588	590
40	611	556	540	519	534
45	532	476	460	473	505
50	463	411	409	479	556
55	382	340	393	564	689
60	300	279	398	566	633
65	190	206	348	417	476
70	59	86	174	225	268
75	17	20	39	47	44
80	6	9	11	15	15
85	4	4	6	9	9
90	0	1	3	3	3
95	0	0	0	0	0
100	7	15	12	15	15
105	49	129	59	25	25
110	110	204	238	159	129
115	183	281	391	369	348
120	257	358	467	537	532
125	332	439	540	611	636
130	407	523	619	687	713
135	484	599	689	755	780
140	569	679	779	841	867
145	633	726	823	878	900
150	708	787	894	942	959
155	756	819	927	979	996
160	812	855	950	1012	1028
165	851	880	952	1006	1027
170	909	924	969	1009	1023
175	907	911	932	951	963
180	905	905	910	913	918
180	900	900	900	900	900

Total Luminaire Efficiency: 83.7%

**Zonal Lumens**

Zone	Lumens	%Lamp	%Fixt
0-30	604.61	10.2	12.2
0-40	945.69	16	19.2
0-60	1669.24	28.3	33.8
0-90	1857.13	31.5	37.6
90-120	648.28	11	13.1
90-130	1181.45	20	23.9
90-150	2293.66	38.9	46.5
90-180	3080.55	52.2	62.4
0-180	4937.68	83.7	100



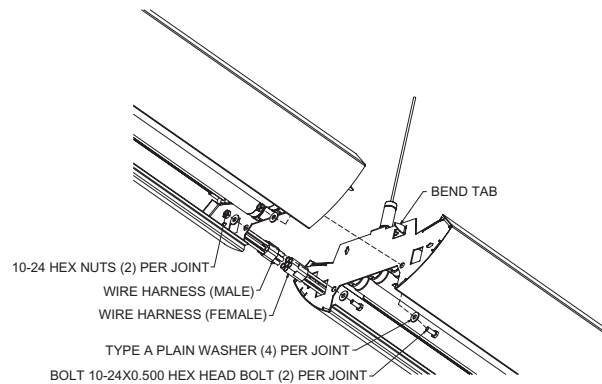
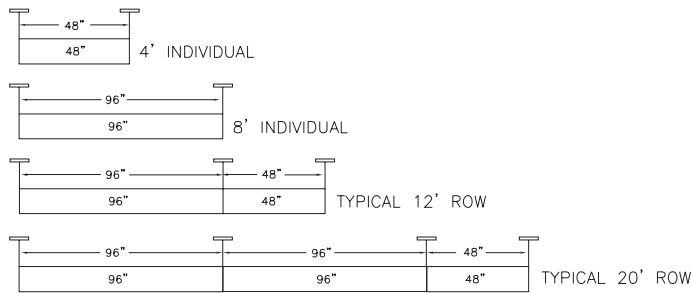
**Coefficients of Utilization- Zonal Cavity Method**

Effective Floor Cavity Reflectance 0.20

RC RW	70			50			30			10			0					
	70	50	30	70	50	30	70	50	30	70	50	30	70	50	30			
0	87	87	87	87	79	79	79	79	64	64	64	50	50	50	37	37	37	31
1	80	77	74	71	73	70	67	65	57	55	54	45	44	43	34	33	33	28
2	73	67	63	59	66	61	57	54	50	47	45	40	38	36	30	29	28	24
3	67	59	54	49	61	54	49	45	44	41	38	35	33	31	27	26	24	20
4	61	53	46	42	55	48	43	38	40	36	32	32	29	27	24	22	21	18
5	56	47	40	36	51	43	37	33	35	31	28	28	25	23	22	20	18	15
6	52	42	36	31	47	39	33	29	32	28	24	26	23	20	20	18	16	14
7	48	38	31	27	43	35	29	25	29	25	21	23	20	18	18	16	14	12
8	44	34	28	24	40	32	26	22	26	22	19	21	18	16	17	14	13	11
9	41	31	25	21	37	29	23	20	24	20	17	20	16	14	15	13	12	10
10	38	29	23	19	35	26	21	18	22	18	15	18	15	13	14	12	11	9

IES SPACING CRITERIA: END = 1.2 DIAGONAL = 1.1 CROSS = 1.1

**OR-DI MOUNTING**



**OR-DI ORDERING**

EXAMPLE OR-DI-I-T8-PL-W-S-U-EB10-AC30-W-FE-4

SERIES	LAMP QTY	LAMP TYPE	SHIELDING	REFLECTOR	CIRCUIT	VOLTAGE	BALLAST	MOUNTING	FINISH	ENDCAP	OPTIONS	LENGTH
OR-DI	1 2 3	T5 T8HO T8	PL Parabolic Louver WPL White Parabolic Louver	W White S Specular	S Single D Dual M Multi	120 277 347 U Universal	EB Electronic EB10 Electronic<100% DIM Dimming SPB Special Ballast Specify	AC30 30" Adj. Cable Length ACXX30" Length Req.* S24 24" Stem SXX Length Req.*	W White AF Alt. Finish	FE Flat End Cap	EC Emergency Circuit BP Battery Pack NL Night Light FR Fuse Run FB Fuse Each Ballast L30 3000k lamps (Incl.) L35 3500k lamps (Incl.) L41 4100k lamps (Incl.) WAL White Acrylic Lens (Dust Cover) CAL Clear Acrylic Lens (Dust Cover)	4 4 Ft. 8 8 Ft. XX Row Length must consist of lengths listed above

\*Consult Manufacturer  
Underline signifies standard configuration  
UL listed and IBEW-AFL made (product affixed with UL and IBEW labels)  
ICON International reserves the right to change specifications for product improvements without notification

