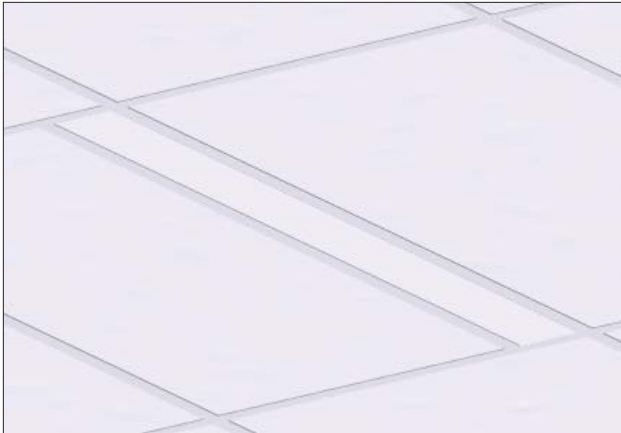


P23-RSG

DESCRIPTION



Catalog #	Type
Project	
Comments	
Prepared by	Date

Prime family puts DESIGN back into your projects • Prime 23-RSG is an innovative, small scale system designed specifically for slot grid ceilings • Utilizes energy efficient T5 and T5HO lamps for maximum performance • Optics include Extruded white and clear lens or continuous white lens for long runs semi-specular blades with specular side rails or white radial baffle, • Removable ballast tray design is easily serviceable from below the ceiling • Flange can take the place of the T-bar to support acoustical ceiling tile which will reduce ceiling labor costs • Grid/Earthquake clips are adjustable to accommodate most standard T-bar types

P23-RSG

SPECIFICATIONS

CONSTRUCTION 6063-T5 extruded aluminum housing. Connectors are die-cast aluminum.

MOUNT Standard yoke mounting kit..

OPTICS High performance white hybrid powder coat applied to an optically optimized reflector system. White lens standard. Additional lenses and louvers

ELECTRICAL Pre-wired with factory installed branch circuit wiring and over-molded quick connects. SJT white power cord capable of carrying two independent circuits. UL listed class "P" thermally protected universal voltage electronic ballast with less than 10% THD.

FINISH

Standard housing finished in ICON White polyester powder coat applied over a 5-stage corrosion inhibiting pre-treatment. Alternate finishes and transparent color over bonded chrome finish available. Consult factory.

APPLICATIONS

Open and Private Office, Conference, Lobby, Reception, Corridor, Educational Facility, Library, Museum, Retail, Supermarket, Food Service.

FAMILY OPTIONS

PENDANT

Direct, Indirect, Direct/Indirect, Track, Pass-Through, and Asymmetrical. **Housing Size-** 2" x 3", 2" x 6", 4" x 4"

RECESSED

Ceiling, Track, and Asymmetrical. **Housing Size-** 2" x 3", 4" x 4"

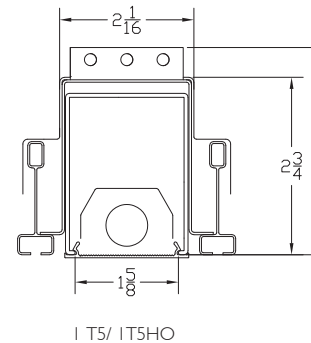
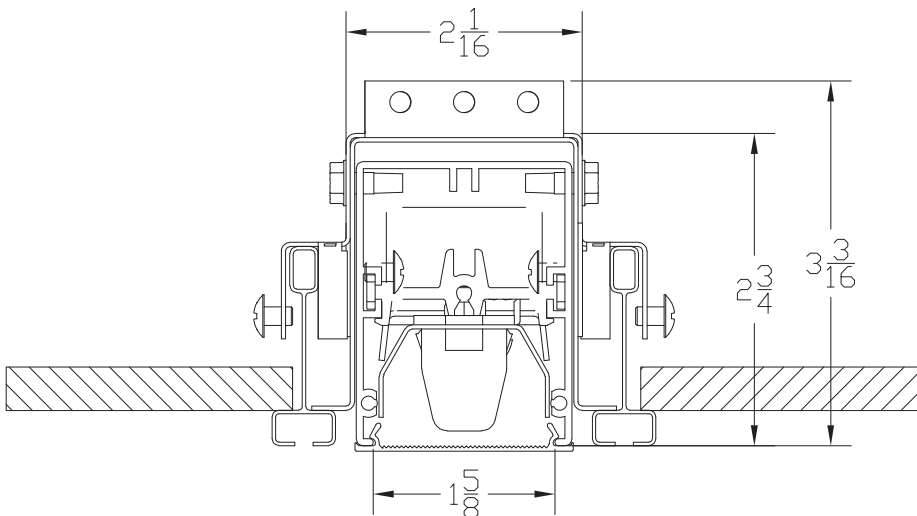
WALL MOUNT

Direct, Indirect, Direct/Indirect, Track, Pass-Through, and Asymmetrical. **Housing Size-** 2" x 3", 2" x 6", 4" x 4"

PRIME PRIME 23 RECESSED SLOT GRID

P23-RSG

LAMP CONFIGURATIONS



CROSS SECTION

P23-RSG PHOTO DISTRIBUTION

Candela Tabulation

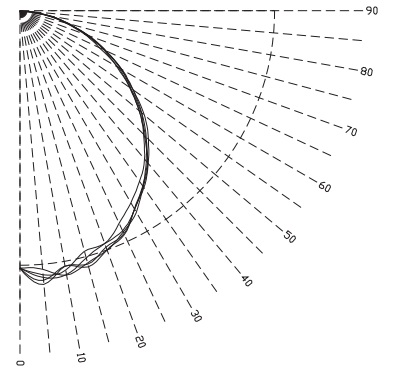
VERTICAL ANGLE	CANDLEPOWER DISTRIBUTION				
	HORIZONTAL ANGLE				
	0	45	67.5	90	
0	0.0	22.5	45.0	67.5	90.0
5	1091.3	1091.3	1091.3	1091.3	1091.3
10	1123.2	1135.2	1164.7	1100.4	1148.0
15	1118.4	1136.8	1101.3	1138.6	1099.8
20	1057.8	1086.7	1113.5	1108.2	1124.2
25	1051.0	1051.4	1067.6	1082.0	1079.9
30	997.0	1030.8	1045.1	1038.2	1049.4
35	942.6	974.9	974.3	988.7	973.2
40	886.4	912.7	918.6	911.6	910.6
45	825.3	849.2	846.8	844.1	835.7
50	744.1	773.4	750.1	757.0	760.7
55	677.6	693.7	665.5	664.3	676.8
60	590.1	591.9	573.3	575.1	579.9
65	507.8	500.5	489.0	480.9	504.4
70	410.2	407.0	381.9	399.9	408.8
75	323.3	306.3	304.6	315.1	318.8
80	222.9	214.7	227.8	229.6	222.7
85	140.6	139.6	148.6	152.3	155.4
90	56.0	73.4	81.0	74.2	74.5
	15.8	30.0	30.6	25.5	17.1

IES SPACING CRITERIA- END = 1.28 DIAGONAL = 1.40 CROSS = 1.32
LUMINAIRE EFFICIENCY = 65.9%

Total Luminaire Efficiency: 40.5%

Zonal Lumens

Zone	Lumens	%Lamp	%Fixt
0-30	332.9	11.5	28.3
0-40	539	18.6	45.9
0-60	930.84	32.1	79.2
0-90	1175.39	40.5	100
90-120	0	0	0
90-130	0	0	0
90-150	0	0	0
90-180	0	0	0
0-180	1175.39	40.5	100

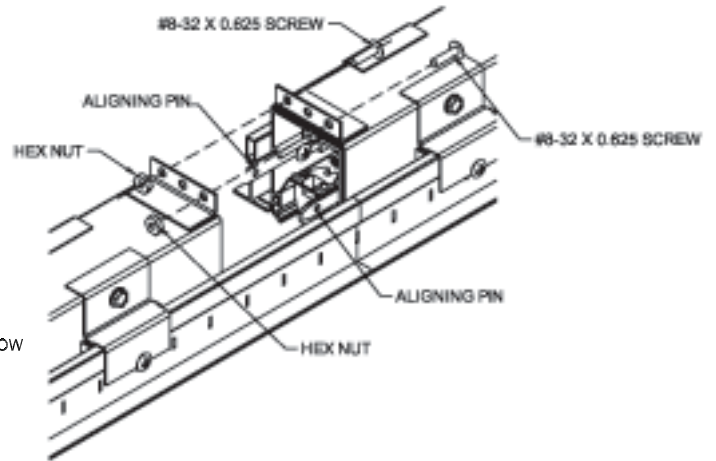
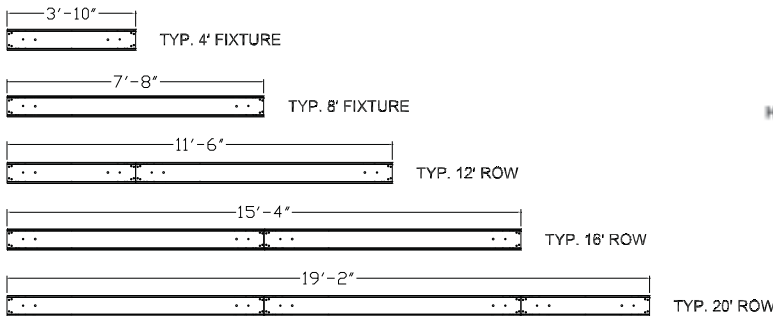


Coefficients of Utilization- Zonal Cavity Method

Effective Floor Cavity Reflectance 0.20

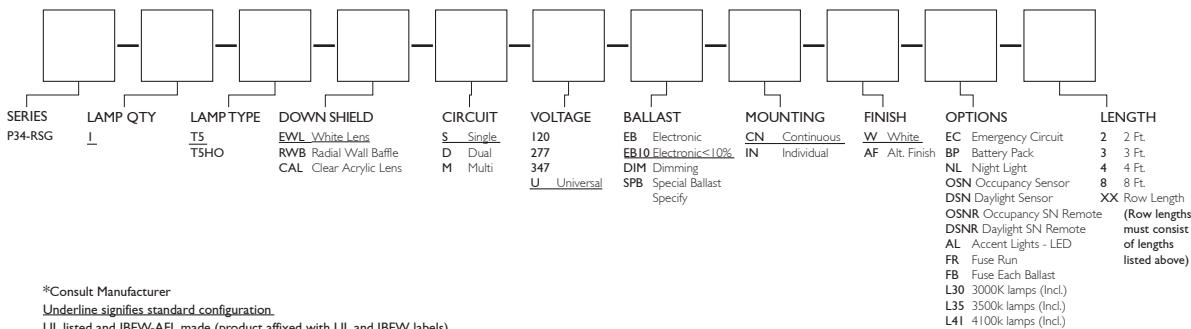
RC	80				70				50				30				10				0			
	RW	70	50	30	10	70	50	30	10	50	30	10	50	30	10	50	30	10	50	30	10	0	0	
0	48	48	48	48	47	47	47	47	45	45	45	43	43	43	41	41	41	41	41	41	41	41	0	
1	44	42	40	39	43	41	40	38	39	38	37	38	37	36	36	36	35	34	34	34	34	34	0	
2	40	37	34	32	39	36	33	31	35	32	31	33	31	30	32	31	29	28	28	28	28	28	0	
3	37	32	29	26	36	32	29	26	30	28	26	29	27	25	28	26	25	24	24	24	24	24	0	
4	34	29	25	22	33	28	25	22	27	24	22	26	24	22	25	23	21	20	20	20	20	20	0	
5	31	26	22	19	30	25	22	19	24	21	19	24	21	19	23	20	19	18	18	18	18	18	0	
6	28	23	19	17	28	23	19	17	22	19	17	21	19	17	21	18	16	16	16	16	16	16	0	
7	26	21	17	15	26	21	17	15	20	17	15	19	17	15	19	16	15	14	14	14	14	14	0	
8	25	19	16	13	24	19	16	13	18	15	13	18	15	13	17	15	13	12	12	12	12	12	0	
9	23	18	14	12	22	17	14	12	17	14	12	16	14	12	16	14	12	11	11	11	11	11	0	
10	22	16	13	11	21	16	13	11	16	13	11	15	13	11	15	12	11	10	10	10	10	10	0	

P23-RSG MOUNTING



P23-RSG ORDERING KEY

EXAMPLE P23-RSG-1-T5-EWL-S-U-EB10-CN-W-4



*Consult Manufacturer
 Underline signifies standard configuration.
 UL listed and IBEW-AFL made (product affixed with UL and IBEW labels)
 ICON International reserves the right to change specifications for product improvements without notification

