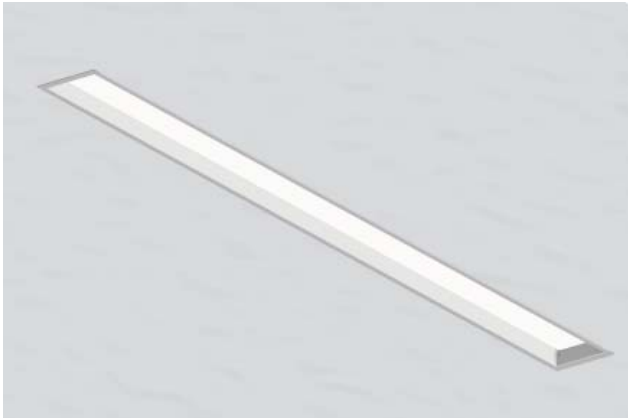


P23-R-F

DESCRIPTION



Catalog #	Type
Project	
Comments	
Prepared by	Date

Prime family puts DESIGN back into your projects • Prime 23-R-F compliments the Prime family by adding a recess, continuous, small scale lighting fixture which accommodates hard ceiling applications • Prime 34-R-F is designed around energy efficient T5 and T5HO lamps for maximum performance • Optics include semi-specular blades with specular side rails or white radial baffle, extruded white and clear lens or continuous white lens for long runs • Removable ballast tray design is easily serviceable from below the ceiling

P23-R-F

SPECIFICATIONS

CONSTRUCTION Code Gauge cold rolled steel housing, 6063-T5 extruded aluminum ceiling flange with integral trim aligner.

MOUNTING Standard yoke mounting kit.

OPTICS High performance white hybrid powder coat applied to an optically optimized reflector system. Semi-specular blades with specular side rails or white parabolic high cut-off louver. Extruded virgin acrylic, UV stabilized white or clear lens. Continuous matte white lens.

ELECTRICAL Pre-wired with factory installed branch circuit wiring and over molded quick connects. Removable ballast tray. Quick access wire plate. UL listed class "P" thermally protected universal voltage electronic ballast with less than 10% THD.

FINISH Standard housing finished in White polyester powder coat applied over a 5-stage corrosion inhibiting pre-treatment

APPLICATIONS Open and Private Office, Conference, Lobby, Reception, Corridor, Educational Facility, Library, Museum, Restroom, Retail, Supermarket,

FAMILY OPTIONS

PENDANT Direct, Indirect, Direct/Indirect, Track, Pass-Through, and Asymmetrical. **Housing Size-** 2"x3", 2"x6", 4"x4"

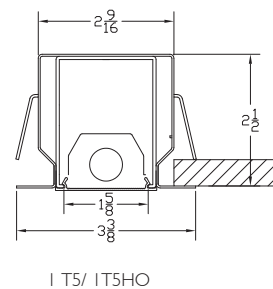
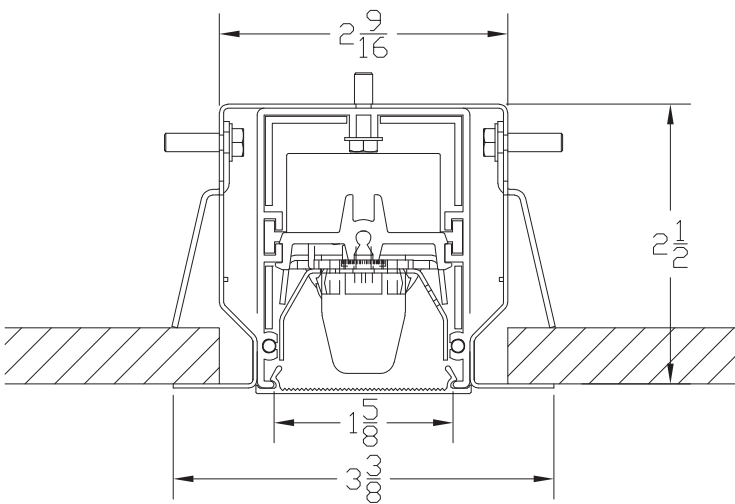
RECESSED Ceiling, Track, and Asymmetrical. **Housing Size-** 2"x3", 4" X4"

WALL MOUNT Direct, Indirect, Direct/Indirect, Track, Pass-Through, and Asymmetrical. **Housing Size-** 2"x3", 2"x6", 4"x4"

PRIME PRIME 23 RECESSED FLANGED

P23-R-F

LAMP CONFIGURATIONS



CROSS SECTION

P23-R-F PHOTO DISTRIBUTION

Candela Tabulation

P23-R-F-I-T5-WAL

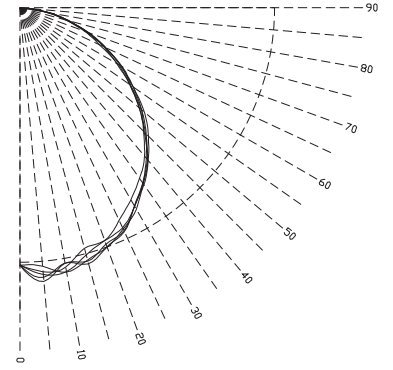
VERTICAL ANGLE	CANDLEPOWER DISTRIBUTION				
	HORIZONTAL ANGLE		HORIZONTAL ANGLE		
	0	22.5	45	67.5	90
0	0.0	22.5	45.0	67.5	90.0
5	454.3	454.3	454.3	454.3	454.3
10	423.7	428.6	424.4	421.8	442.2
15	430.1	430.5	417.8	423.6	444.9
20	410.2	410.9	412.7	412.3	412.3
25	397.9	404.4	403.9	399.3	391.8
30	382.7	381.4	383.2	373.9	376.4
35	368.9	365.4	349.8	348.4	352.3
40	332.1	332.0	333.7	324.5	327.2
45	314.4	304.2	301.5	288.7	295.6
50	283.6	279.4	270.3	266.2	262.9
55	244.1	243.2	238.9	232.3	224.3
60	205.1	213.0	202.7	199.9	197.7
65	178.2	174.2	173.1	168.5	167.5
70	142.1	146.8	140.6	136.7	135.9
75	106.7	108.1	107.6	108.4	105.4
80	79.6	78.4	78.0	76.3	77.7
85	44.1	44.7	47.4	46.8	50.4
90	14.9	16.3	19.2	19.5	18.8
	1.9	4.0	5.5	6.9	7.7

IES SPACING CRITERIA- END = 1.22 DIAGONAL = 1.32 CROSS = 1.18
LUMINAIRE EFFICIENCY = 40.5%

Total Luminaire Efficiency: 40.5%

Zonal Lumens

Zone	Lumens	%Lamp	%Fixt
0-30	332.9	11.5	28.3
0-40	539	18.6	45.9
0-60	930.84	32.1	79.2
0-90	1175.39	40.5	100
90-120	0	0	0
90-130	0	0	0
90-150	0	0	0
90-180	0	0	0
0-180	1175.39	40.5	100

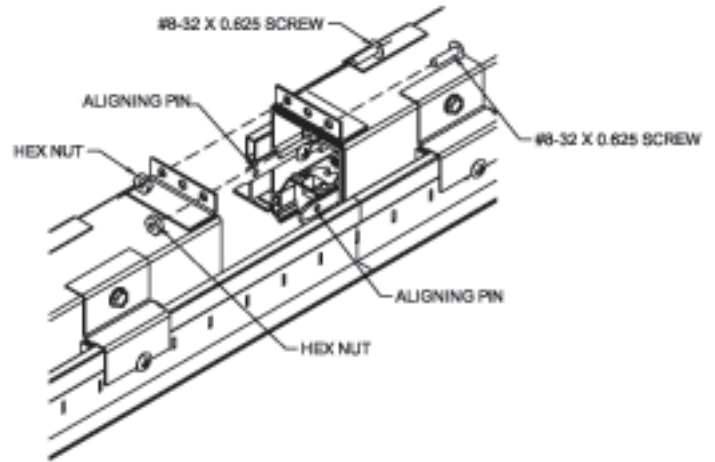
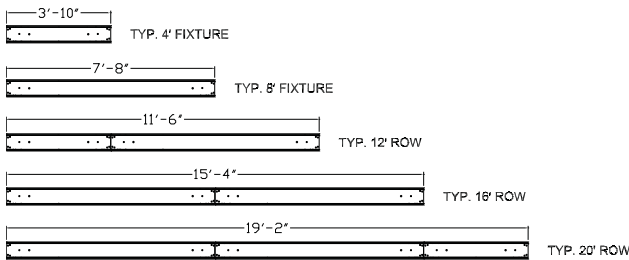


Coefficients of Utilization- Zonal Cavity Method

Effective Floor Cavity Reflectance 0.20

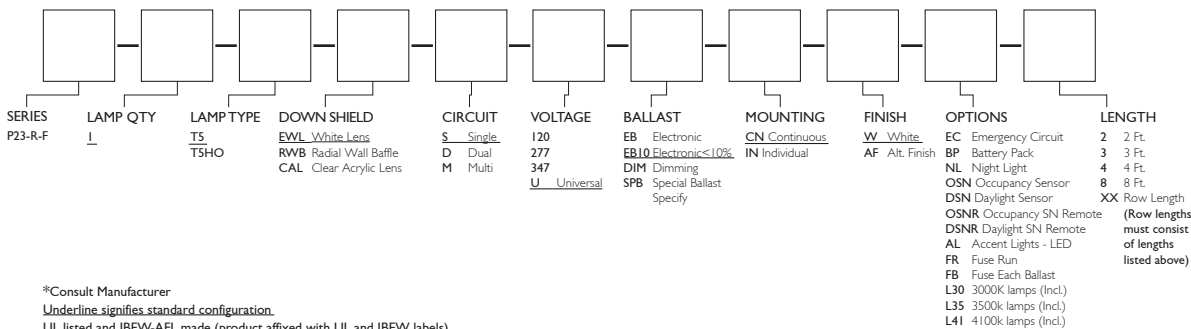
RC	80		70		50		30		10		0	
	70	50	30	10	70	50	30	10	50	30	10	0
0	48	48	48	48	47	47	47	47	45	45	45	41
1	44	42	40	39	43	41	40	38	39	38	37	36
2	40	37	34	32	39	36	33	31	35	32	31	30
3	37	32	29	26	36	32	29	26	30	28	26	25
4	34	29	25	22	33	28	25	22	27	24	22	21
5	31	26	22	19	30	25	22	19	24	21	19	18
6	28	23	19	17	28	23	19	17	22	19	17	16
7	26	21	17	15	26	21	17	15	20	17	15	14
8	25	19	16	13	24	19	16	13	18	15	13	12
9	23	18	14	12	22	17	14	12	17	14	12	11
10	22	16	13	11	21	16	13	11	16	13	11	10

P23-R-F MOUNTING



P23-R-F ORDERING KEY

EXAMPLE P23-R-F-I-T5-EWL-S-U-EB10-CN-W-4



*Consult Manufacturer
Underline signifies standard configuration.
UL listed and IBEW-AFL made (product affixed with UL and IBEW labels)
ICON International reserves the right to change specifications for product improvements without notification

