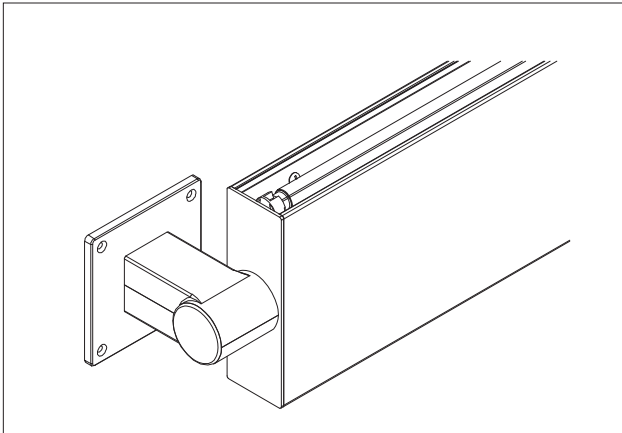


**P26-DI-WM DESCRIPTION**



Catalog #	Type
Project	
Comments	
Prepared by	Date

Prime family puts DESIGN back into your projects • Prime 26-DI-WM is an innovative, small scale modular lighting system • Prime 26-DI-WM is designed around energy efficient T5 and T5HO lamps for maximum performance • Superior optic design allows for down and vertical light output • CYLINDER™ wall mount is designed for linear applications giving you the additional ability to adjust the pitch of the fixture by 15° increments • Prime 26-DI-WM is designed as a universal mounting fixture, direct or indirect, to allow changes and reconfiguration in the field that are common in today's projects

**P26-DI-WM SPECIFICATIONS**

**CONSTRUCTION** 6063-T5 extruded aluminum housing. Connectors are die-cast aluminum.

**MOUNT** 4" Wall mount bracket

**OPTICS** High performance white hybrid powder coat applied to an optically optimized reflector system. Extruded aluminum .075 thick snap in high reflectance white louver with integral clear lens tethered to housing. Additional lenses available.

**ELECTRICAL** Pre-wired with factory installed branch circuit wiring and over molded quick connects. SJT white power cord capable of carrying two independent circuit. UL listed class "P" thermally protected universal voltage electronic ballast with less than 10% THD

**FINISH** Standard housing finished in ICON white powder coat applied over a 5-stage corrosion inhibiting pretreatment. Alternate finishes and transparent color over bonded chrome finish available. Consult factory.

**APPLICATIONS** Open and Private Office, Conference, Lobby, Reception, Corridor, Educational Facility, Library, Museum, Retail, Supermarket, Food Service

**FAMILY OPTIONS**

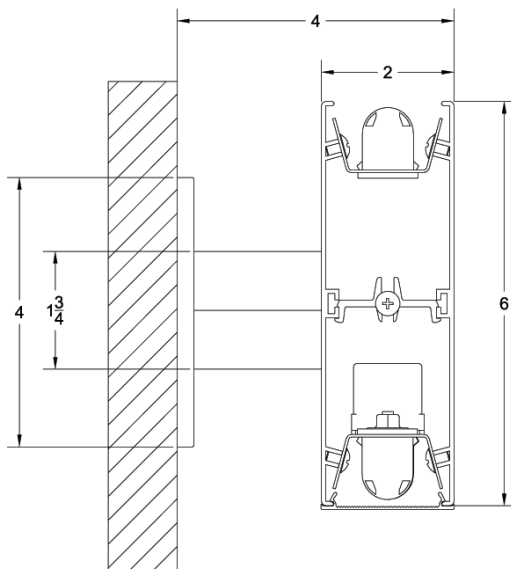
**PENDANT** Direct, Indirect, Direct/Indirect, Track, Pass-Through, and Asymmetrical. **Housing Size-** 2'x 3", 2'x 6", 4'x 4"

**RECESSED** Ceiling, Track, and Asymmetrical. **Housing Size-** 2'x 3", 4'x 4"

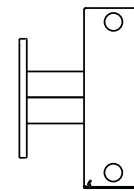
**WALL MOUNT** Direct, Indirect, Direct/Indirect, Track, Pass-Through, and Asymmetrical. **Housing Size-** 2'x 3", 2'x 6", 4'x 4"

PRIME PRIME 26 DIRECT/ INDIRECT WM

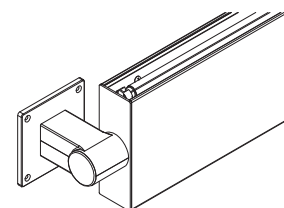
**P26-DI-WM LAMP CONFIGURATIONS**



CROSS SECTION



1 T5/ 1T5HO



P26-DI-WM END

**P26-DI-WM PHOTO DISTRIBUTION**

**Candela Tabulation**

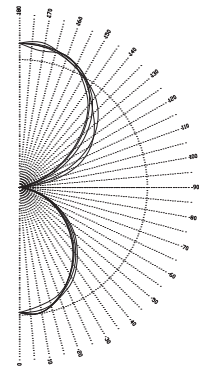
P26-DI-U-ID-T5-O-EWL

VERTICAL ANGLE	CANDLEPOWER DISTRIBUTION			
	HORIZONTAL ANGLE 22.5		HORIZONTAL ANGLE 45	
	0	45	67.5	90
0	1058.2	1058.2	1058.2	1058.2
10	1074.7	1075.1	1074.9	1053.3
20	995.0	984.2	987.2	990.6
30	907.8	879.1	861.6	852.9
40	765.6	745.4	724.1	714.8
50	614.2	586.3	564.5	545.4
60	427.1	420.5	398.3	387.3
70	244.3	241.4	229.3	212.2
80	87.4	84.3	74.7	64.8
90	16.4	4.5	2.0	1.3
100	234.9	127.1	46.8	24.7
110	520.7	414.5	256.1	199.7
120	702.5	676.2	511.8	445.5
130	830.3	867.5	762.7	697.1
140	947.9	1001.2	962.6	928.2
150	1081.7	1085.3	1099.5	1095.3
160	1159.8	1156.6	1180.3	1176.3
170	1235.8	1204.6	1206.7	1216.3
180	1218.4	1218.4	1218.4	1218.4

Total Luminaire Efficiency: 63.3%

**Zonal Lumens**

Zone	Lumens	%Lamp	%Fixt
0-30	820.75	8.2	13
0-40	1323.04	13.2	20.9
0-60	2261.19	22.6	35.7
0-90	2776.01	27.8	43.9
90-120	674.95	6.7	10.7
90-130	1266.63	12.7	20
90-150	2576.53	25.8	40.7
90-180	3552.3	35.5	56.1
0-180	6328.31	63.3	100

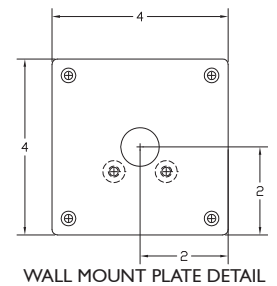
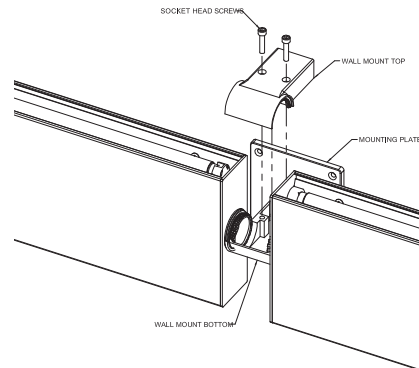
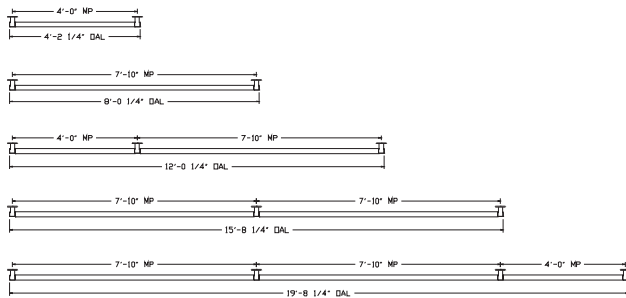


**Coefficients of Utilization- Zonal Cavity Method**

Effective Floor Cavity Reflectance 0.20

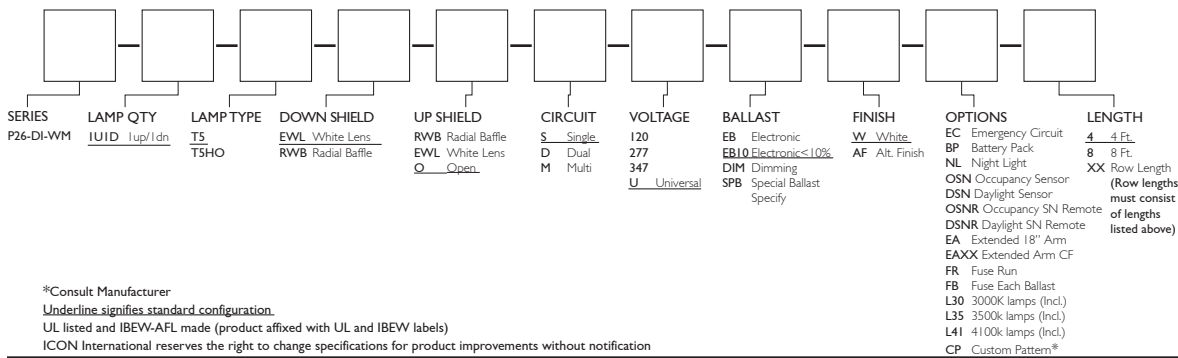
RC RW	80				70				50				30				10				0					
	70	50	30	10	70	50	30	10	50	30	10	50	30	10	50	30	10	50	30	10	50	30	10	50	30	10
0	67	67	67	67	61	61	61	61	51	51	51	41	41	41	32	32	32	28	28	28	24	24	24	20	20	20
1	61	58	56	54	56	54	51	50	44	43	42	36	35	34	28	28	27	24	24	24	20	20	20	17	17	17
2	56	51	47	44	51	47	44	41	39	37	35	32	30	29	25	24	23	20	20	20	17	17	17	14	14	14
3	51	45	40	37	46	41	37	34	34	31	29	28	26	24	22	21	20	17	17	17	14	14	14	11	11	11
4	46	40	35	31	42	37	32	29	31	27	25	25	23	21	20	18	17	14	14	14	11	11	11	8	8	8
5	43	35	30	27	39	33	28	25	27	24	21	22	20	18	16	14	13	11	11	11	8	8	8	5	5	5
6	39	32	27	23	36	29	25	22	25	21	19	20	18	16	14	13	11	10	10	10	7	7	7	4	4	4
7	36	29	24	20	33	26	22	19	22	19	16	18	16	14	12	11	10	8	8	8	5	5	5	3	3	3
8	34	26	21	18	31	24	20	17	20	17	14	17	14	12	11	10	8	7	7	7	4	4	4	2	2	2
9	31	24	19	16	29	22	18	15	19	15	13	15	13	11	10	9	8	6	6	6	3	3	3	1	1	1
10	29	22	17	14	27	20	16	13	17	14	12	14	12	10	9	8	6	5	5	5	2	2	2	0	0	0

**P26-DI-WM MOUNTING**



**P26-DI-WM ORDERING KEY**

EXAMPLE P26-DI-WM-IUID-T5-EWL-O-S-U-EB10-W-4



\*Consult Manufacturer

Underline signifies standard configuration.

UL listed and IBEW-AFL made (product affixed with UL and IBEW labels)

ICON International reserves the right to change specifications for product improvements without notification

