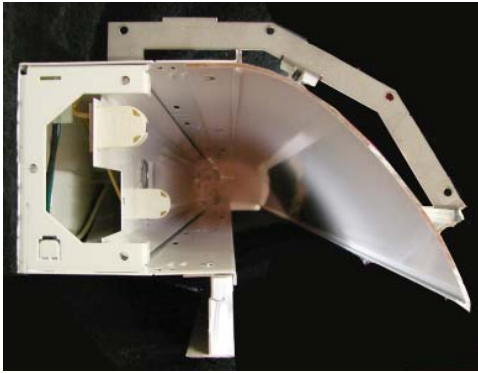


P44-WW Wall Wash DESCRIPTION



Catalog #	Type
Project	
Comments	
Prepared by	Date

The Prime 44 Wall Wash System provides distinctive perimeter direct lighting for a variety of applications from classrooms to boardrooms, hallways to restrooms. The P44 WW features a cross-blade, aluminum baffle or an open aperture with no baffle to create the illusion of a floating ceiling. The WW System accommodates any space using telescopic assemblies at the end of rows to allow for wall imperfections.

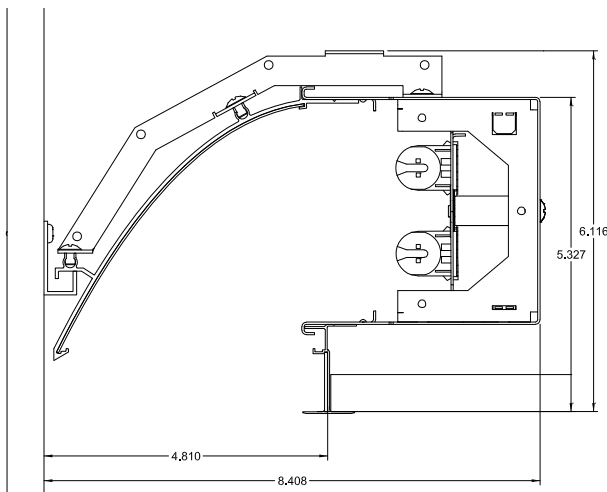
P44-WW SPECIFICATIONS

- CONSTRUCTION** Code gauge cold rolled steel housing.
- MOUNT** The fixtures is mounted with a 6063T5 extruded aluminum ceiling flange with integral, continuous "J" trim.
- OPTICS** High performance white hybrid powder coat applied to an optically optimized reflector system. Semi-specular blades with specular side rails or white parabolic high cut off louver. Continuous matte white lens is standard.
- ELECTRICAL** Pre-wired with factory installed branch circuit wiring and over-molded quick connects. Removable ballast tray. Quick access wire plate. UL listed class "P" thermally protected electronic ballast with less than 10% THD.

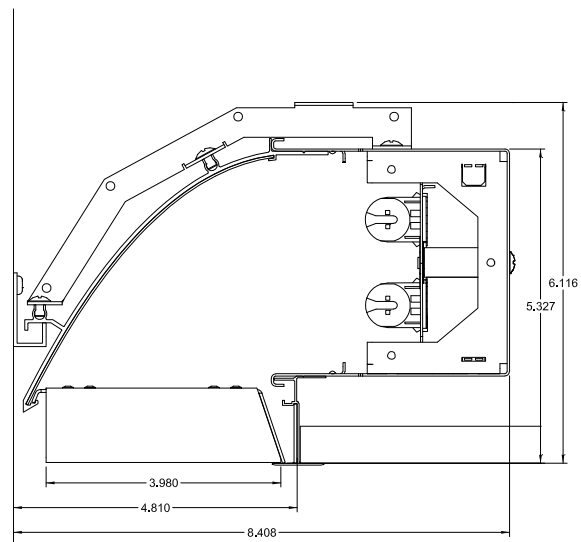
- FINISH** Standard housing finished in ICON White powder coat applied over a 5-stage corrosion inhibiting pre-treatment. Transparent color over bonded chrome finish available. Alternate finishes available.
- APPLICATIONS** Retail, Grocery Store, Educational Facility, Library, Open Office, Private Office, Reception Area, Conference Room, Lobby, Corridor, Rest Room, Medical Center, Museum
- OTHER** T-bar mount uni-clip support brackets furnished as standard for simplifying and reducing overall cost of installation. Energy saving options available (consult factory)

PRIME PRIME 44 Wall Wash

P44-WW LAMP CONFIGURATIONS



CROSS SECTION



I T5 Stag

I T8

P44-WW PHOTO DISTRIBUTION

Candela Tabulation

Total Luminaire Efficiency: 73.60%

P44-R-WW-2-T5

CANDLEPOWER DISTRIBUTION

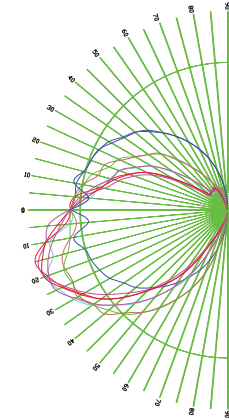
VERTICAL ANGLE	HORIZONTAL ANGLE			
	0	22.5	45	67.5
0	1558.34	1558.34	1558.34	1558.34
5	1557.76	1687.92	1747.93	1699.52
10	1563.23	1671.33	1789.49	1701.69
15	1584.87	1715.49	1740.53	1827.41
20	1550.3	1716.21	1776.64	1845.41
25	1510.65	1725.61	1747.23	1788.81
30	1450.81	1660.11	1733.7	1743.92
35	1369.49	1618.79	1705.53	1643.68
40	1283.84	1565.16	1587.24	1529.03
45	1217.61	1533.45	1481.92	1352.25
50	1132.34	1482.09	1320.38	1146.01
55	1044.62	1346.71	1135.83	913.43
60	945.24	1241.63	884.63	654.53
65	847.71	1085.39	644.97	420.91
70	710.03	853.65	381.6	279.6
75	549.67	576.88	218.96	182.61
80	380.12	297.69	130.14	121.69
85	173.01	125.44	81.28	72.61
90	47.04	52.21	41.92	45.87

IES SPACING CRITERIA: END = 1.38 DIAGONAL = 1.54 CROSS = 1.32

Zonal Lumens

Zone	Lumens	%Lamp	%Fxt
0-30	1230	21.2	28.8
0-40	1982	34.2	46.4
0-60	3410	58.8	79.8
0-90	4262	73.5	99.8
90-120	9	0.1	0.2
90-130	9	0.1	0.2
90-150	9	0.1	0.2
90-180	9	0.1	0.2
0-180	4271	73.6	100

Total Luminaire Efficiency = 73.60%

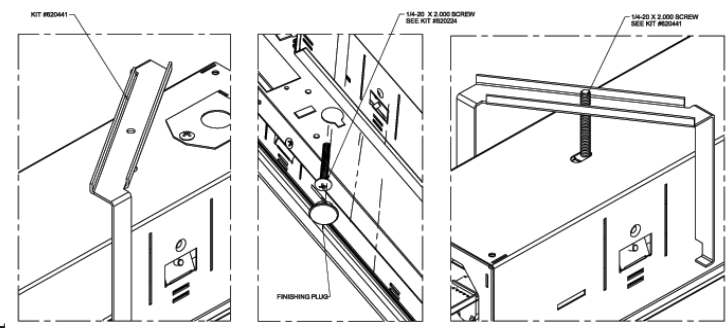
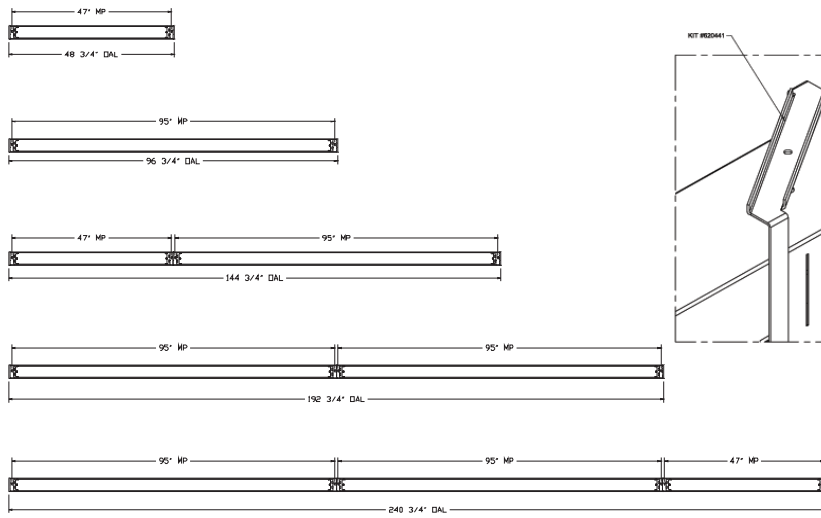


Coefficients of Utilization- Zonal Cavity Method

Effective Floor Cavity Reflectance 0.20

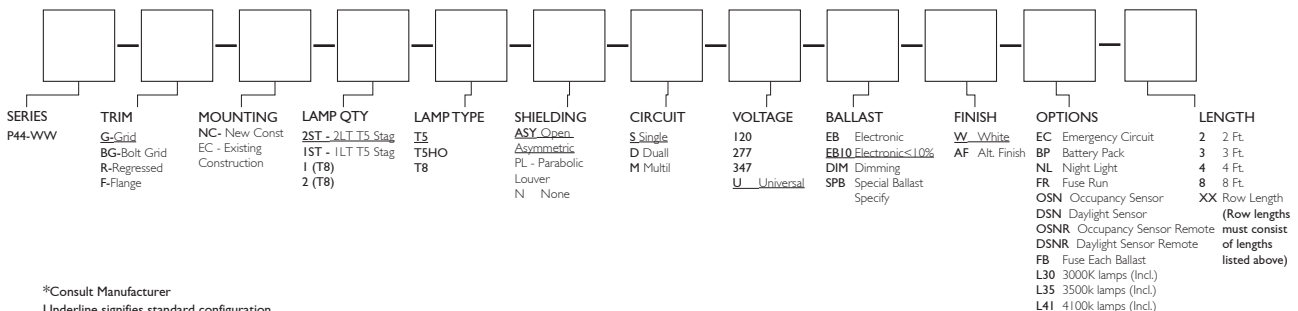
RC	RW				70				50				30				10				0
	70	50	30	10	70	50	30	10	50	30	10	50	30	10	50	30	10				
0	88	88	88	88	86	86	86	86	82	82	82	78	78	78	75	75	75	74			
1	80	77	73	71	78	75	72	70	72	69	67	69	67	65	66	65	63	62			
2	73	67	62	58	71	66	61	57	63	59	56	61	57	55	58	56	53	52			
3	67	59	53	48	65	58	52	48	56	51	47	54	50	46	52	48	45	44			
4	61	52	46	41	59	51	45	41	49	44	40	48	43	40	46	42	39	37			
5	56	47	40	35	55	46	40	35	44	39	35	43	38	34	42	37	34	33			
6	52	42	36	31	51	42	35	31	40	35	31	39	34	30	38	33	30	29			
7	48	38	32	27	47	38	32	27	37	31	27	36	31	27	35	30	27	25			
8	45	35	29	25	44	34	29	24	34	28	24	33	28	24	32	27	24	23			
9	42	32	26	22	41	32	26	22	31	26	22	30	25	22	29	25	22	20			
10	39	30	24	20	38	29	24	20	29	23	20	28	23	20	27	23	20	18			

P44-WW MOUNTING



P44-WW ORDERING KEY

EXAMPLE P44-WW-G-GC-2LT-T5-ASY-S-U-EB10-W-4



*Consult Manufacturer
 Underline signifies standard configuration.
 UL listed and IBEW-AFL made (product affixed with UL and IBEW labels)
 ICON International reserves the right to change specifications for product improvements without notification