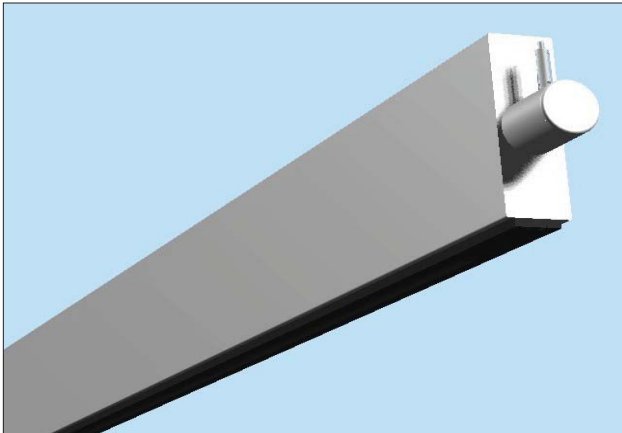


P26-TRK DESCRIPTION



Catalog #	Type
Project	
Comments	
Prepared by	Date

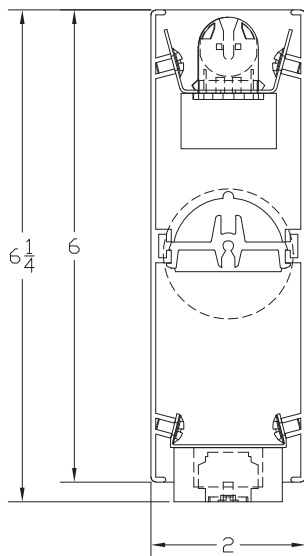
Prime family puts DESIGN back into your projects • Prime 26 -TRK and PRIME 26 -PAS are an innovative, small scale modular lighting system • Prime 26-TRK and PRIME 26 -PAS "J" style Track and Pass-Through housing allows you to design a continuous, uninterrupted lighting system • Unique connectors, ORBIT and CYLINDER, allow for a multitude of design options • ORBIT™ allows straight, 90°, "T" and "X" designs • CYLINDER™ is designed for linear applications giving you the additional ability to adjust the pitch of the fixture by 15° • Prime 26 -TRK and PRIME 26 -PAS are designed as a universal mounting fixture, direct or indirect, to allow changes and reconfiguration in the field that are common in today's projects LED trackheads are a popular energy saving option.

P26-TRK SPECIFICATIONS

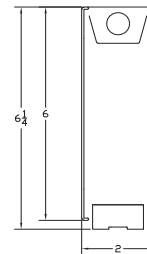
CONSTRUCTION
HOUSING 6063-T5 extruded aluminum housing. Connectors are die-cast aluminum.
TRACK Standard "J" style aluminum housing.
MOUNT Fully adjustable stainless steel aircraft cable kits.
ELECTRICAL
HOUSING Can be used as a pass-through.
TRACK Pre-wired with factory installed branch circuit wiring and over-molded quick connects. SJT white power cord capable of carrying two independent circuits.

FINISH
HOUSING Standard housing finished in ICON White powder coat applied over a 5-stage corrosion inhibiting pre-treatment. Alternate finish available. Consult factory.
TRACK Standard housing finished in Black polyester powder coat applied over a 5-stage corrosion inhibiting pre-treatment.
APPLICATIONS Open and Private Office, Conference, Lobby, Reception, Corridor, Educational Facility, Library, Museum, Restroom, Retail, Supermarket, Food Service.
FAMILY OPTIONS
PENDANT Direct, Indirect, Direct/Indirect, Track, Pass-Through, and Asymmetrical. **Housing Size-** 2" x 3", 2" x 6", 4" x 4"
RECESSED Ceiling, Track, and Asymmetrical. **Housing Size-** 2" x 3", 4" x 4"
WALL MOUNT Direct, Indirect, Direct/Indirect, Track, Pass-Through, and Asymmetrical. **Housing Size-** 2" x 3", 2" x 6", 4" x 4"

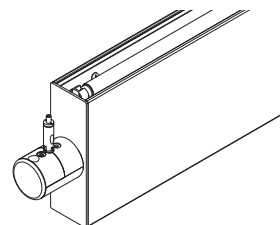
P26-TRK LAMP CONFIGURATIONS



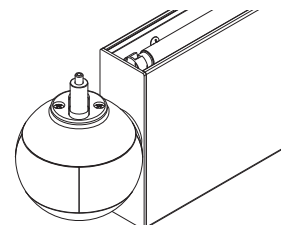
CROSS SECTION



I T5/ IT5HO



CYLINDER CONNECTOR



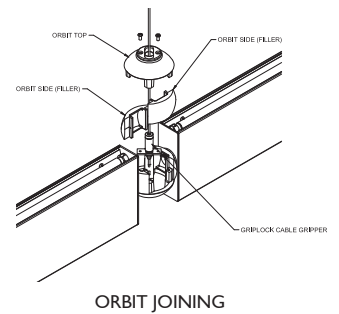
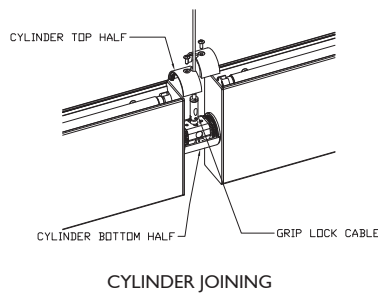
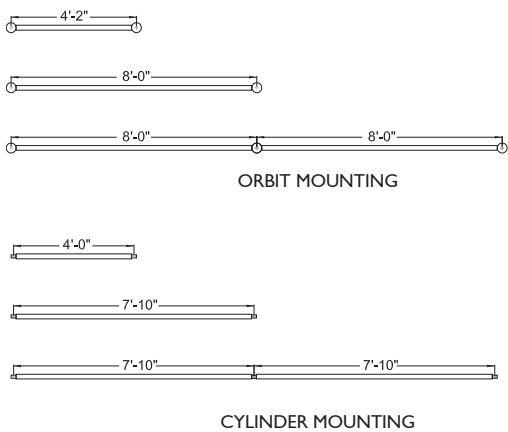
ORBIT CONNECTOR

PRIME PRIME 26 TRACK

P26-TRK PHOTO DISTRIBUTION

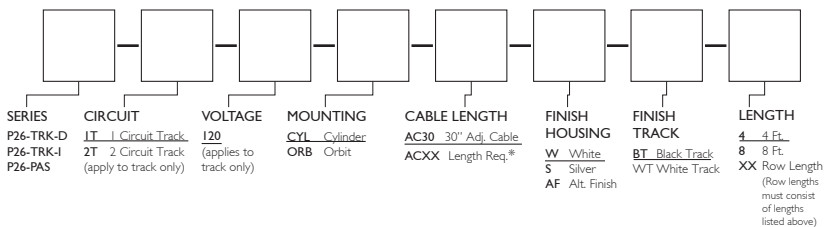
NOT APPLICABLE TO THIS PRODUCT

P26-TRK MOUNTING



P26-TRK ORDERING KEY

EXAMPLE P26-TRK-D-1T-120-CYL-AC30-W-BT-4



*Consult Manufacturer
 Underline signifies standard configuration.
 UL listed and IBEW-AFL made (product affixed with UL and IBEW labels)
 ICON International reserves the right to change specifications for product improvements without notification